



HAL
open science

Catalogue of the Greek Tholos Baths of Egypt

Thibaud Fournet, Bérangère Redon

► **To cite this version:**

Thibaud Fournet, Bérangère Redon. Catalogue of the Greek Tholos Baths of Egypt. Bérangère Redon. Collective baths in Egypt 2. New discoveries and perspectives, Presses de l'IFAO, pp.389-435, 2017, 9782724706963. hal-01758084

HAL Id: hal-01758084

<https://hal.science/hal-01758084>

Submitted on 11 Dec 2019

HAL is a multi-disciplinary open access archive for the deposit and dissemination of scientific research documents, whether they are published or not. The documents may come from teaching and research institutions in France or abroad, or from public or private research centers.

L'archive ouverte pluridisciplinaire **HAL**, est destinée au dépôt et à la diffusion de documents scientifiques de niveau recherche, publiés ou non, émanant des établissements d'enseignement et de recherche français ou étrangers, des laboratoires publics ou privés.

Collective Baths in Egypt 2

New Discoveries and Perspectives

βαλανεΐα ■ THERMAE ■ حمامات

Edited by

Bérangère Redon



Institut français d'archéologie orientale

Études urbaines 10 – 2017

Dans la même collection :

Marie-Françoise Boussac, Sylvie Denoix, Thibaud Fournet et Bérangère Redon (éds.), *25 siècles de bain collectif en Orient. Proche-Orient, Égypte et péninsule Arabique*, 2014.

Julien Loiseau, *Reconstruire la Maison du sultan* (2 vol.), 2010.

Marie-Françoise Boussac, Thibaud Fournet et Bérangère Redon, *Le bain collectif en Égypte*, 2009.

István Ormos, *Max Herz Pasha*, (2 vol.), 2009.

Mercedes Volait (éd.), *Le Caire – Alexandrie. Architectures européennes, 1850-1950*, 2004.

Sylvie Denoix, Jean-Charles Depaule, Michel Tuchscherer, *Le Khan al-Khalili et ses environs, un centre commercial et artisanal au Caire du XIII^e au XX^e siècle* (2 vol.), 1999.

Sylvie Denoix, *Décrire Le Caire. Fustāt-Miṣr d'après Ibn Duqmāq et Maqrīzī*, 1992.

Nelly Hanna, *Habiter au Caire aux XVII^e et XVIII^e siècles*, 1992.

Collectif, *L'habitat traditionnel dans les pays musulmans autour de la Méditerranée* (3 vol.), 1988-1990-1991.

© INSTITUT FRANÇAIS D'ARCHÉOLOGIE ORIENTALE, LE CAIRE, 2017

ISBN 978-2-7247-0696-3

ISSN 1110-2497

Mise en page: Christine Mina

Couverture: Ismail Seddiq, d'après Th. Fournet



Tous droits de traduction, d'adaptation et de reproduction par tous procédés, réservés pour tous pays. Toute reproduction ou représentation intégrale ou partielle, par quelque procédé que ce soit, des pages publiées dans le présent ouvrage, faite sans l'autorisation de l'éditeur, est illicite et constitue une contrefaçon. Seules sont autorisées, d'une part, les reproductions strictement réservées à l'usage privé du copiste et non destinées à une utilisation collective et, d'autre part, les courtes citations justifiées par le caractère scientifique ou d'information de l'œuvre dans laquelle elles sont incorporées (art. L. 122-4, L. 122-5 et L. 335-2 du code de la propriété intellectuelle).

Sommaire

Bérangère Redon	
Introduction. Rediscovering the Bathing Heritage of Egypt.....	1
I. PTOLEMAIC PERIOD	
Jean-Pierre Brun, Thomas Faucher, Bérangère Redon	
An Early Ptolemaic Bath in the Fortress of Bi'r Samut (Eastern Desert)	13
Mohamed Abd el-Rafa Fadl, Wagdy Ibrahim Abd el-Nabi, Guy Lecuyot, Bérangère Redon	
A New Ptolemaic Bath Building at Buto/Tell el-Fara'in – A Preliminary Report	25
Mohamed Kenawi, Nunzia Larosa	
The <i>Tholos</i> Bath at Kom Wasit.....	41
Wolfgang Müller, Mariola Hepa	
Two Baths from Syene.....	51
Karol Myśliwiec	
Baths from the Ptolemaic Period in Athribis (Tell Atrib, Lower Egypt)	65
Aiman Ashmawy Ali	
The Lost Graeco-Roman Baths of the Eastern Delta.....	83
Thibaud Fournet, Bérangère Redon	
Bathing in the Shadow of the Pyramids: Greek Baths in Egypt, Back to an Original Bath Model	99
Anne-Marie Guimier-Sorbets, Bérangère Redon	
The Floors of the Ptolemaic Baths of Egypt: Between Technique and Aesthetics.....	139

II. ROMAN AND BYZANTINE PERIODS

Grażyna Bąkowska-Czerner, Rafał Czerner Roman Baths in Marina el-'Alamein	173
Paola Davoli A New Public Bath in Trimithis (Amheida, Dakhla Oasis).....	193
Salah el-Masekh, Thibaud Fournet, Pauline Piraud-Fournet, Mansour Boraik The Roman Baths at Karnak, Between River and Temples Architectural Study and Urban Context	221
Bérangère Redon The Missing Baths of the First and Second Centuries in Egypt: A Tentative Explanation.....	267
Thibaud Fournet, Bérangère Redon Romano-Byzantine Baths of Egypt: The Birth and Spread of a Little-Known Regional Model.....	279
Charlène Bouchaud, Bérangère Redon Heating the Baths During the Ptolemaic and Roman Periods in Egypt: Comparing the Archaeobotanical and Textual Data	323

III. MODERN PERIOD

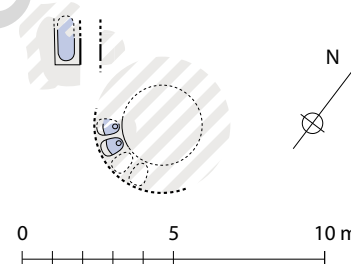
Muhammad Husam al-Din Isma'îl, Michel Tuchscherer, Matthieu Vanpeene The Hammams of the Egyptian Provinces During the Modern and Contemporary Periods: an Inventory.....	353
---	-----

IV. CATALOGUES OF THE BATHS OF EGYPT

Bérangère Redon Presentation and Principles of the Catalogues	385
Thibaud Fournet, Bérangère Redon I. Catalogue of the Greek <i>Tholos</i> Baths of Egypt	389
Thibaud Fournet, Bérangère Redon II. Catalogue of the Small Greek Baths of Egypt	437
Thibaud Fournet, Bérangère Redon, Matthieu Vanpeene III. Catalogue of the Roman and Byzantine Baths of Egypt	451
Michel Tuchscherer, Matthieu Vanpeene IV. Catalogue of the Egyptian Hammams Outside Alexandria and Cairo	525
Bibliography	541

I. Catalogue of the Greek *Tholos* Baths of Egypt

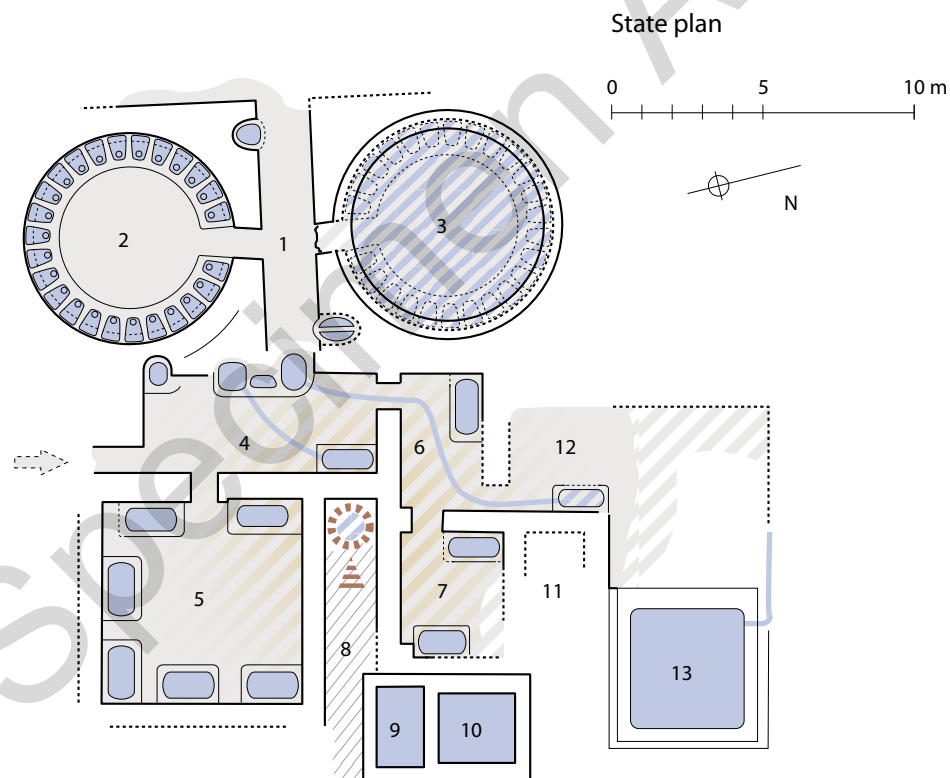
Cat. no.	1 (B69, F37)
1	1.1. Alexandria, Baths in Cotarelli Ground 1.2. –
2	2.1. About 31°11'56.20" N, 29°54'48.11" E 2.2. South of ancient street Lα; inside the city walls. 2.3. –
3	3.1. Destroyed. 3.2. –
4	4.1. Found during rescue excavations in 1986. 4.2. Not visited.
5	At least 50 m ² .
6	6.1. Hellenistic (T). 6.2. – 6.3. –
7	7.1. – 7.2. –
8	Two hip-bathtubs, probably belonging to a <i>tholos</i> (diam. about 4.50 m); one immersion bathtub.
9	9.1. – 9.2. –
10	10.1. Well? 10.2. – 10.3. –
11	11.1. – 11.2. –
12	12.1. – 12.2. RODZIEWICZ 2009, p. 195. FOURNET et al. 2013, cat. no. 37.
13	RODZIEWICZ 2009, fig. 8 (plan). FOURNET et al. 2013, cat. no. 37 (standardised plan). Fournet, Redon in this volume (a), fig. 7b (typological plate).



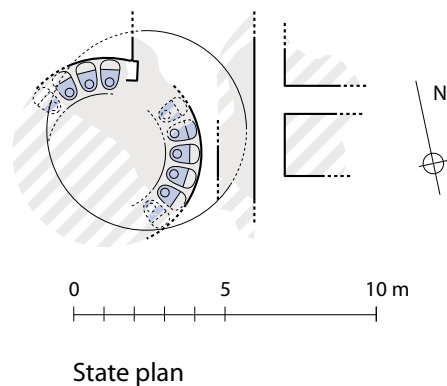
Cat. no.	2 (B300, F38)
1	1.1. Athribis/Tell Atrib, South-East Baths 1.2. –
2	2.1. 30°28'19.17" N, 31°11'5.39" E 2.2. On the south-east slope of the largest <i>kom</i> of Tell Atrib. 2.3. –
3	3.1. Fairly well preserved, but heavily restored. 3.2. –
4	4.1. Almost fully excavated in 1946 by N. Farag (SCA) but unpublished by the excavator. Visited by H. Wild (IFAO) in 1948, and finally partly published by el-Khachab (SCA) in 1978. 4.2. Visited in February 2010 by B. Redon.
5	At least 505 m ² for the whole building, but likely less for each phase.
6	6.1. Hellenistic (T). 6.2. II: large remodelling probably in early Roman times (T). 6.3. –
7	7.1. I: probable classical <i>tholos</i> model. II: hybrid type. I and II: bather circuit unknown. 7.2. Different levels of rooms and bathtubs suggest at least two different phases and circuits (if not rather more): I: entrance from the west (where a possible entrance hall should be restored) leading to a corridor (1) passing between the two <i>tholoi</i> (2, 3) and leading to a distribution corridor (predecessor of the present Room 4) opening onto one or more square rooms with immersion bathtubs (floors of the first phase are visible under the present Rooms 5, 7 and 12). II: circuit difficult to assess after large remodelling: abandonment of <i>Tholos</i> 2, transformation of <i>Tholos</i> 3 (blocking of the niches and door, covered by a new interior wall with stucco + abandonment of the hip-bathtubs) into a reservoir. The passage between 1 and 4 is also blocked by the construction of three basins. Renewal of the east section with a possible entrance to the south, leading to Corridor 4 that opens into rooms with immersion bathtubs (5, 6 and 7).
8	I: two <i>tholoi</i> (2, 3; diam. about 7 m) with 25 and probably also 25 hip-bathtubs; unknown number of immersion bathtubs in the square rooms. II: Rooms 5, 6 and 7 with a total of 9 immersion bathtubs.
9	9.1. I: unknown, but a furnace is likely to be located at the same location as in phase II. II: probable deep furnace (8) topped by a boiler. 9.2. I: unknown. II: heating walls (for Rooms 5 and 7)?
10	10.1. I: two small basins in Corridor 1; a hypothetical tank under Room 7 and near the possible furnace (to fit with the “classical model”). II: large rectangular reservoir (13), supplied by an aqueduct running north. It probably supplied one intermediary basin in Room 12 (a second one, next to the first, is visible on Wild’s pictures; it has now totally disappeared) and a water-tower with adjoining reservoir (9, 10); four small basins in the west wall of Room 4, one supplied by an oval basin contiguous to Furnace 8 and probably supplied with hot water, and one by the oval basin of Room 12 (probably with cold water). The former <i>Tholos</i> 3, likely transformed into a large reservoir, may have played a role in the water supply of the building. 10.2. – 10.3. –

Cat. no. 2 (B300, F38)

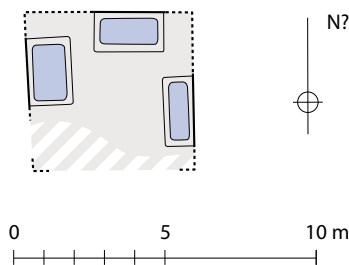
- 11 11.1. –
 11.2. Two superposed niches are visible in Wild's pictures of the blocked wall of *Tholos 3*: one large and corresponding to the usual niches above hip-bathtubs, the others, smaller (c. 15 × 10 cm), under the larger niches.
- 12 12.1. –
 12.2. EL-KHACHAB 1949, p. 7, n. 3.
 SCHWARTZ, WILD 1950, pp. 60–61, n. 2, pl. XV.
 EL-KHACHAB 1978, pp. 12–13.
 FOURNET et al. 2013, cat. no. 38.
 Fournet, Redon in this volume (a); Guimier-Sorbets, Redon in this volume.
- 13 Unpublished photos of H. Wild taken in 1948 and stored at IFAO.
 EL-KHACHAB 1978, plan 1 (general plan), pls. 60–65 (photos).
 FOURNET et al. 2013, cat. no. 38 (standardised plan).
 Fournet, Redon in this volume (a), fig. 7b (typological plate), fig. 10 (restored state plan, two archival photos, reconstruction of the niches of *Tholos 3*).



Cat. no.	3 (301, F39)
1	1.1. Athribis/Tell Atrib, South-West Baths 1.2. –
2	2.1. 30°28'19.47" N, 31°11'3.73" E 2.2. In the south-west part of the largest <i>kom</i> of Tell Atrib. 2.3. –
3	3.1. Destroyed. 3.2. –
4	4.1. Excavated in 1960 by K. Michałowski (Polish mission). 4.2. Not visited.
5	I and II: at least 50 m ² . III: at least 85 m ² .
6	6.1. First half of 1st century AD (E). 6.2. II: renovation of the floor in first quarter of 2nd century AD (E). III: rebuilding of a new <i>tholos</i> 42 cm above the first in the second half of 2nd century AD (E). 6.3. –
7	7.1. – 7.2. –
8	I and II: one <i>tholos</i> (diam. 6.35 m) with at least 23 hip-bathtubs. III: one <i>tholos</i> (diam. 5.90 m) with c. 20 hip-bathtubs, and several adjoining rooms of unknown function, visible on photos.
9	9.1. – 9.2. –
10	10.1. Reservoir (?), north of the <i>tholos</i> . 10.2. – 10.3. –
11	11.1. Fragments of mosaics and of marble slabs, Corinthian capitals, column drums and other architectural elements of various kind of granite and marble, maybe belonging to Phase III. 11.2. A <i>labrum</i> in red granite (diam. 2,40 m) found in the vicinity, maybe linked with Phase III.
12	12.1. – 12.2. MICHAŁOWSKI 1962b. FOURNET et al. 2013, cat. no. 39. Myśliwiec in this volume.
13	MICHAŁOWSKI 1962b, pl. I (general plan of the site), pl. IV (two photos). FOURNET et al. 2013, cat. no. 39 (standardised plan). Fournet, Redon in this volume (a), fig. 7b (typological plate).



Cat. no.	4 (B317, F43)
1	1.1. Buto/Tell el-Fara'in, Baths near the temple 1.2. –
2	2.1. About 31°11'50.78" N, 30°44'36.67" E 2.2. Near the entrance of the Uadjet temple. 2.3. –
3	3.1. Some ruins still visible on surface, but almost entirely destroyed. 3.2. –
4	4.1. Partially excavated in 1966 by EES. 4.2. Identified and visited by G. Lecuyot in 2010.
5	At least 40 m ² .
6	6.1. ? 6.2. – 6.3. –
7	7.1. – 7.2. –
8	One room with three immersion bathtubs; one or two <i>tholoi</i> with hip-bathtubs may have been connected with this bathroom which was excavated in isolation.
9	9.1. – 9.2. –
10	10.1. – 10.2. – 10.3. –
11	11.1. – 11.2. –
12	12.1. – 12.2. SETON-WILLIAMS 1966, pp. 164–166. FOURNET et al. 2013, cat. no. 43.
13	SETON-WILLIAMS 1966, pl. XXXIX (plan). FOURNET et al. 2013, cat. no. 43 (standardised plan). Fournet, Redon in this volume (a), fig. 7b (typological plate). One unpublished photo found in the EES archives by P. Ballet and G. Lecuyot.



Cat. no.	5 (B318, F42)
1	1.1. Buto/Tell el-Fara'in, East Baths 1.2. –
2	2.1. 31°11'43.12" N, 30°44'49.57" E 2.2. Eastern limit of the <i>kom</i> , 120 m south of the main temple, apparently not far from a canal. 2.3. –
3	3.1. Well preserved, covered after the excavations, but in danger of disappearance because located outside the enclosure wall of the archaeological site of Buto. 3.2. –
4	4.1. Fully excavated in 2010 (except for the furnace area) by W. Ibrahim, under the supervision of M. Abd el-Rafa Fadl (SCA); architectural survey and partial excavations of the furnace by S. Dhennin, G. Lecuyot and B. Redon in June 2010. 4.2. See 4.1.
5	360 m ² .
6	6.1. Probably first half of the 2nd century BC (E). 6.2. Slight remodelling, to increase capacity of bathing facilities, at an unknown date (Phase II). 6.3. Abandoned before the end of the Ptolemaic period, probably during the first half of the 1st century BC (E).
7	7.1. Classical <i>tholos</i> bath, circular circuit. 7.2. Entrance to the west, leading to an oblong hall divided in two parts (1, 2), each of them opening onto a <i>tholos</i> (3, 4) which communicates, to the east, with the distribution Hall 5. It gives access, on its southeastern corner, to the relaxation room (6). A semi-peripheral corridor (7) connects Halls 1 and 5.
8	I: two <i>tholoi</i> (3, 4, diam. 4.40–4.50 m) each with 24 hip-bathtubs; one rectangular room with three immersion bathtubs (6). II: <i>idem</i> and eight hip-bathtubs added in north part of Corridor 5.
9	9.1. Furnace 10 probably with two phases: phase I: round furnace? Phase II: oval furnace. 9.2. I and/or II: heating wall in Room 6?
10	10.1. I: one basin between the two <i>tholoi</i> , in Corridor 5; one basin near Tank 9; one basin in the south part of Corridor 5, near the entrance from Corridor 7; L-shaped reservoir (9) supplied by pottery channel from north. II: like I, but south-west basin of Corridor 5 probably levelled and replaced by a small basin near the central basin of Corridor 5. 10.2. – 10.3. I and II: all floors inclined toward Rooms 1 and 2, leading water to a drain running along the west façade of Room 1 and another one starting from the north wall of Room 2.
11	11.1. – 11.2. Excellent example of a typical Graeco-Egyptian bath building; unusual is the placement of the eight hip-bathtubs in Corridor 5, added later in the only available space, obviously to increase capacity.
12	12.1. – 12.2. ABD EL-RAFA FADL, LECUYOT, REDON 2012. FOURNET et al. 2013, cat. no. 42. Abd el-Rafa Fadl et al. in this volume; Bouchaud, Redon in this volume; Fournet, Redon in this volume (a); Guimier-Sorbets, Redon in this volume.

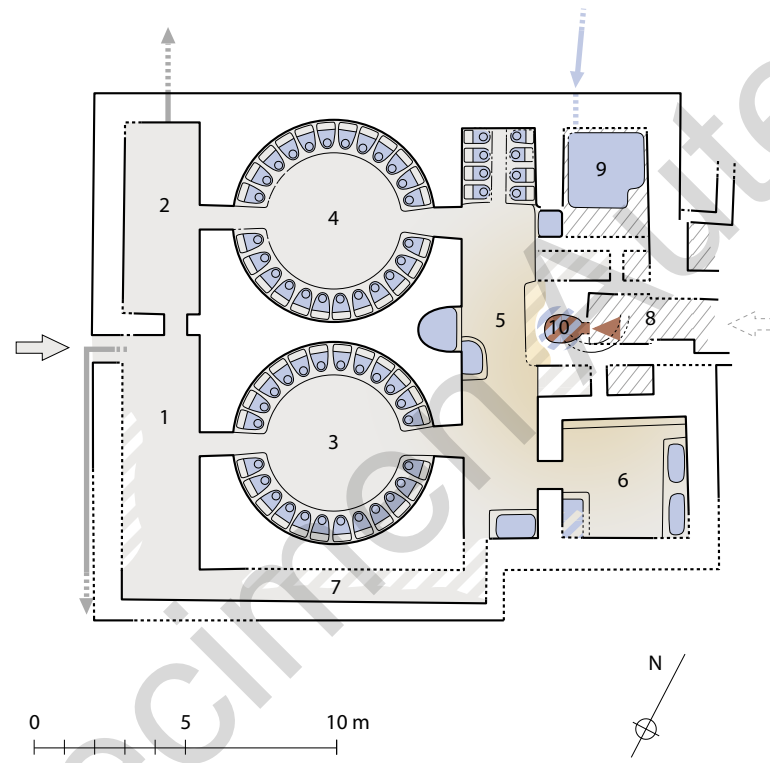
Cat. no. 5 (B318, F42)

13

ABD EL-RAFA FADL, LECUYOT, REDON 2012 (2 photos, 1 plan).

FOURNET et al. 2013, cat. no. 42 (standardised plan).

Abd el-Rafa Fadl et al. in this volume, figs. 1 (plan), 2–16 (photos); Fournet, Redon in this volume (a), figs. 3 (photo and reconstruction), 7a (typological plate); Guimier-Sorbets, Redon in this volume, fig. 10 (photo).

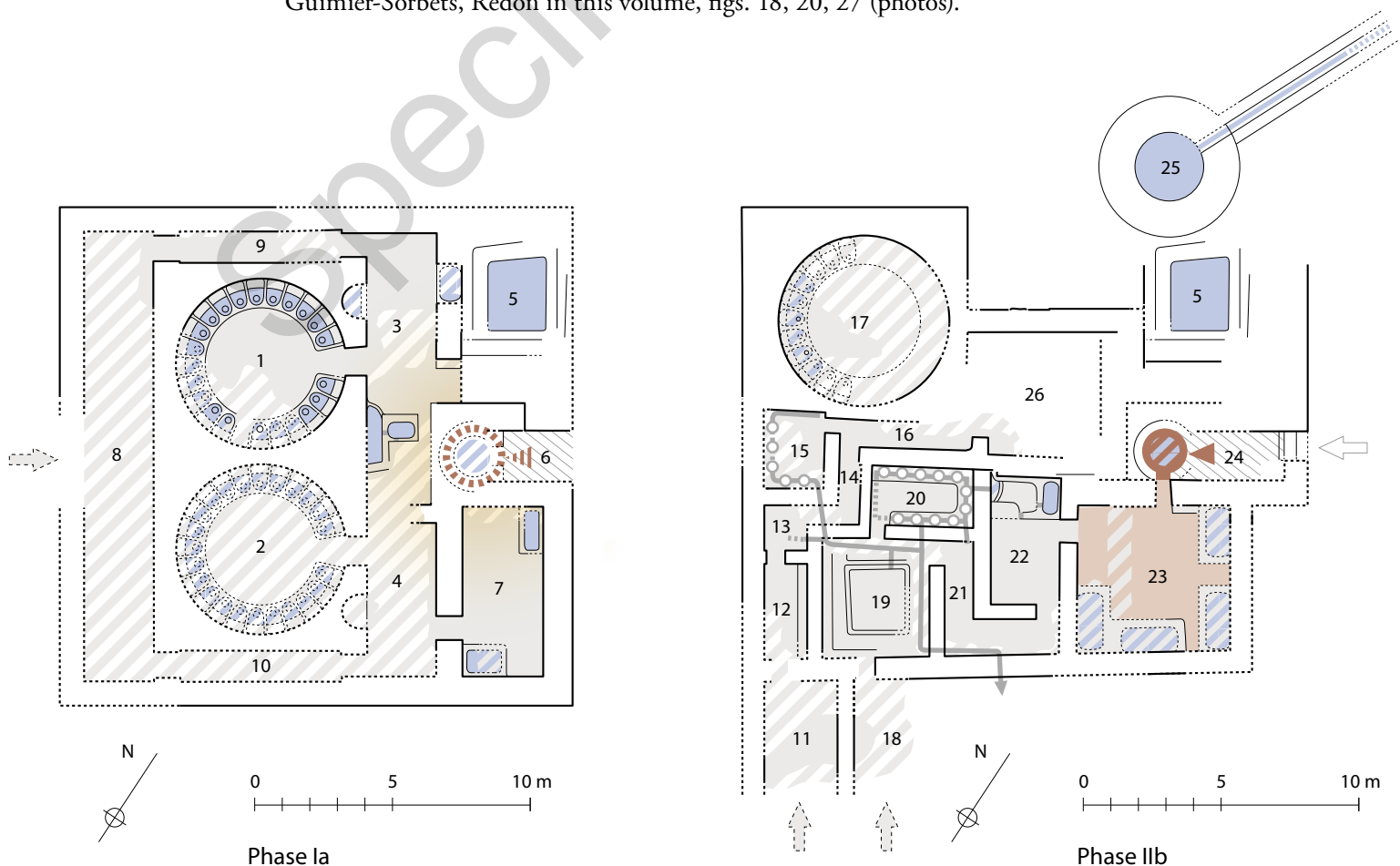


State plan

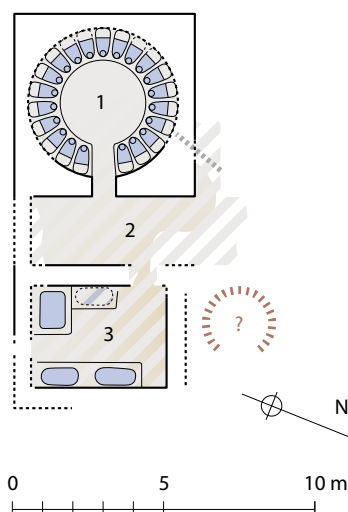
Cat. no.	6 (B256, F40)
1	1.1. Buto/Tell el-Fara'in, North Baths 1.2. –
2	2.1. 31°11'56.66" N, 30°44'38.36" E 2.2. Northern limit of the <i>kom</i> , maybe in an industrial area (pottery), 30 m east of a large enclosure wall, 120 m north of the main temple. 2.3. –
3	3.1. Well preserved but ancient phases partly covered by successive rebuilding of the baths. 3.2. –
4	4.1. First excavated by EES in 1968 and 1969, under the direction of D. Charlesworth. Reassessed between 2008 and 2014 by G. Lecuyot and B. Redon in the frame of the mission of the University of Poitiers (P. Ballet). 4.2. See 4.1.
5	I: 340 m ² . II: c. 355 m ² . III: Roman bath, see cat. no. 56.
6	6.1. Ia: early 2nd century BC (E). 6.2. Ib: important remodelling at unknown time that apparently led to the partial abandonment of the bathing activities. IIa: rebuilding and transformation into a hybrid bath at the end of the 1st century BC/beginning of the 1st century AD (E). IIb: remodelling phase at unknown time. III: rebuilding into a Roman bath second half of the 2nd century AD (E; not described here, see cat. no. 56). 6.3. 3rd century AD (E).
7	7.1. Ia: classical <i>tholos</i> model, probably with two retrograde circuits. Ib and IIa: unknown. IIb: hybrid type, with two retrograde circuits. 7.2. Ia: entrance from west into Hall 8, giving access to a peripheral corridor (9) to the north and its probable counterpart to the south (10); they lead to the distribution Corridors 3 and 4, maybe connected through a small pathway near the furnace. They open respectively into <i>Tholos</i> 1 and 2. Corridor 4 gives also access, to the north-west, to the relaxation Room 7. Ib: unknown circuit and possible abandonment of bathing activities: a basin is built on the levelled east wall of <i>Tholos</i> 1 and latrines above the levelled east wall of <i>Tholos</i> 2. IIa: probably identical to IIb but largely covered by Phase IIb remains. IIb: two separate sections, West: entrance from south in Room 11, leading to a cloakroom/waiting room with a bench (12), an intermediate room (13) and an L-shaped corridor (14) that opens west into Latrines 15 and east into Corridor 16. From there, probable access to a square room (26) and <i>Tholos</i> 17; East: entrance from south in Room 18, giving access to Room 19, a square room with a central space limited by a low wall (10 cm high) fitted with a drain to the north. Room 19 opens onto Latrines 20 and an L-shaped corridor (21) leading to a cold immersion room (22) and a hot immersion room (23). III: see cat. no. 57.
8	Ia: one and most likely two <i>tholoi</i> (1, 2, diam. 6.10 m) with 22 or 23 hip-bathtubs, a rectangular room with at least two immersion bathtubs (7). Ib: two <i>tholoi</i> levelled, Room 7 still operating? IIa: West section with one <i>tholos</i> (17, diam. 6.20 m) with 22–23 (?) hip-bathtubs (repaired at least once); East section: design and function unknown (hidden by phase IIb), Room 23 apparently not hypocausted. IIb: West section: <i>Tholos</i> 17 with 22–23 (?) hip-bathtubs unless already transformed into a reservoir (slabs cover the hip-bathtubs after their second renewal; for a similar transformation, see Athribis SE); East section: one room with one immersion bathtub (22); one room with hypocaust system and most likely four immersion bathtubs (23).

Cat. no. 6 (B256, F40)

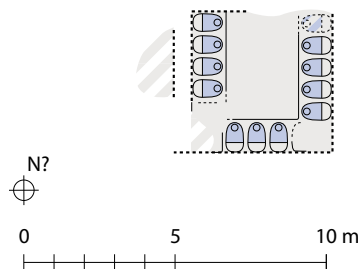
- 9 9.1. Ia: Furnace 6 between Tank 5 and Room 7.
Ib: unknown.
IIa and b: Furnace 24, probably topped by a boiler, between Tank 5 and Room 23.
- 9.2. IIb: hypocausted floor in Room 23.
- 10 10.1. Ia: rectangular tank (5) with an adjoining reservoir accessed from Room 3; semi-circular basin in north-west wall of Room 3; rectangular high basin in front of Furnace 6.
IIa and b: rectangular tank (5), connected with a reservoir (25), supplied by a channel connected to a probable *sakieh* visible during 2013 geophysical survey to the north-west of the baths.
- 10.2. –
- 10.3. IIb: in both sections, pavements of bathing rooms sloped towards Latrines 15 and 20; from 15 and 20, drain through Rooms 19 and 21 towards south.
- 11 11.1. Painted plaster on the walls of Room 7 and possibly Room 23.
11.2. Ib: latrines (but the bathing activities may be interrupted during that phase).
IIa and b: bath complex mixes Greek (*tholos*, immersion bathtubs), Graeco-Egyptian (separate sections, latrines) and Roman features (hypocaust).
- 12 12.1. –
12.2. CHARLESWORTH 1969.
CHARLESWORTH 1970.
LECUYOT, REDON 2011.
LECUYOT, REDON 2014.
REDON, LECUYOT 2012.
FOURNET et al. 2013, cat. no. 40.
Bouchaud, Redon in this volume; Fournet, Redon in this volume (a); Guimier-Sorbets, Redon in this volume.
- 13 CHARLESWORTH 1970, figs. 1–3 (plans), figs. 27.1–2, 28.1–2 (photos).
LECUYOT, REDON 2011, figs. 9, 11–12 (photos).
FOURNET et al. 2013, cat. no. 40 (standardised plan).
LECUYOT, REDON 2014, fig. 1 (plan), figs. 3–5, 7 (photos).
Fournet, Redon in this volume (a), fig. 7a (typological plate), 14 (standardised plan of Phase IIb);
Guimier-Sorbets, Redon in this volume, figs. 18, 20, 27 (photos).



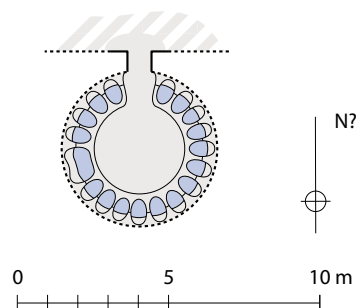
Cat. no.	7 (B316, F41)
1	1.1. Buto/Tell el-Fara'in, South Baths 1.2. –
2	2.1. 31°11'29.71" N, 30°44'38.06" E 2.2. Southern limit of the <i>kom</i> . 2.3. –
3	3.1. Badly preserved, recovered after their discovery. 3.2. –
4	4.1. Partially excavated in 2009 by a SCA team conducted by M. Adb el-Rafa Fadl; architectural survey by G. Lecuyot and B.Redon in June 2010. 4.2. See 4.1.
5	At least 85 m ² .
6	6.1. Hellenistic (T, E). 6.2. – 6.3. –
7	7.1. Probable classical <i>tholos</i> model with retrograde circuit. 7.2. Could correspond to a “classical bath”, with one of the <i>tholoi</i> (1) opening onto a distribution corridor (2), which gives access to an immersion bathtub room (3). As the limits of the excavated part were not visible during the architectural survey, it seems possible to restore other rooms, like a second <i>tholos</i> and an entrance hall, to the north.
8	One <i>tholos</i> (1, diam. about 5 m) with 21 hip-bathtubs; one rectangular room (3) with at least two immersion bathtubs (remains of a third one is visible on the floor; a fourth one is possible in the south corner, unless it is a tank).
9	9.1. Probable furnace near Room 3. 9.2. –
10	10.1. One possible tank in Room 3. 10.2. – 10.3. –
11	11.1. – 11.2. –
12	12.1. – 12.2. ABD EL-RAFA FADL, LECUYOT, REDON 2012, p. 24. FOURNET et al. 2013, cat. no. 41. Fournet, Redon in this volume (a); Guimier-Sorbets, Redon in this volume.
13	FOURNET et al. 2013 cat. no. 41 (standardised plan). Fournet, Redon in this volume (a), fig. 7b (typological plate); Guimier-Sorbets, Redon in this volume, fig. 16 (photo).



Cat. no.	8 (B63, F44)
1	1.1. Canopus/Abukir, Greek Baths 1.2. –
2	2.1. About 31°18'43.71" N, 30°3'1.40" E 2.2. Context unknown, south of Teufiq fort, 175 m north-east of the so-called Sarapeion. 2.3. –
3	3.1. Probably destroyed; 3.2. –
4	4.1. Excavated by E. Breccia before 1923. 4.2. Not visited.
5	At least 25 m ² .
6	6.1. – 6.2. – 6.3. –
7	7.1. – 7.2. –
8	One rectangular room with 12–14 hip-bathtubs (Breccia text: three along short sides, four along long sides; Breccia photo: three along one short side, four-five along one long side, and probably four along the other long side).
9	9.1. – 9.2. –
10	10.1. Large cistern and reservoir near the bath building. 10.2. – 10.3. –
11	11.1. – 11.2. –
12	12.1. – 12.2. BRECCIA 1923, p. 147. BRECCIA 1926, pp. 41–42. FOURNET et al. 2013, cat. no. 44. Fournet, Redon in this volume (a).
13	No plan published by Breccia; schematic plan after description by Breccia and photo BRECCIA 1926, pl. VIII, fig. 2 in FOURNET et al. 2013, cat. no. 44. Fournet, Redon in this volume (a), fig. 7b (typological plate).

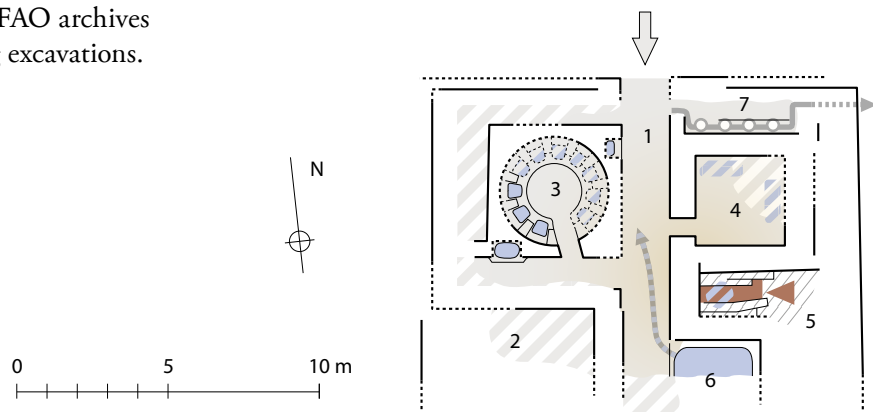


Cat. no.	9 (B290, F46)
1	1.1. Dionysias/Qasr Qarun, North Baths 1.2. –
2	2.1. 29°24'25.94" N, 30°24'59.67" E 2.2. To the east of and close to the Roman fortress, but not connected with it. 2.3. –
3	3.1. Some remains of <i>tholos</i> still visible, relatively well preserved. 3.2. –
4	4.1. Partly excavated (only one <i>tholos</i>) by H. Wild (Franco-Swiss mission led by J. Schwartz) in 1950. Located and briefly cleaned by M. Kenawi (Italian mission led by E. Papi, university of Siena) in February 2012. 4.2. Visited in January 2010 by B. Redon.
5	At least 40 m ² .
6	6.1. Hellenistic (T, certainly independent from and most likely built well before the 4th century AD fortress). 6.2. – 6.3. –
7	7.1. – 7.2. –
8	One <i>tholos</i> (diam. about 5.15 m) with 17 hip-bathtubs and one double hip-bathtub.
9	9.1. – 9.2. –
10	10.1. – 10.2. – 10.3. –
11	11.1. – 11.2. –
12	12.1. – 12.2. SCHWARTZ, WILD 1969, pp. 9 and 105, pl. V. FOURNET et al. 2013, cat. no. 46.
13	SCHWARTZ, WILD 1969, pl. V (plan). FOURNET et al. 2013, cat. no. 46 (standardised plan). Fournet, Redon in this volume (a), fig. 7b (typological plate); Kenawi, Larosa in this volume, fig. 14 (photo).

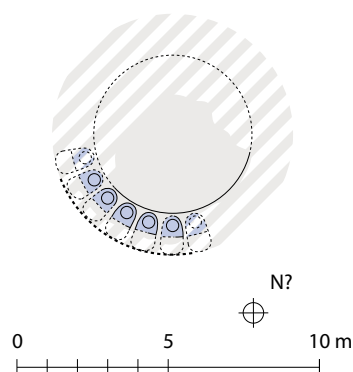


Cat. no. 10 (B291, F45)

- 1 1.1. Dionysias/Qasr Qarun, South Baths
1.2. –
- 2 2.1. 29°24'10.93" N, 30°25'01.85" E
2.2. About 100 m south of the temple, in a residential area, maybe connected with a house in its second phase.
2.3. –
- 3 3.1. Little preserved.
3.2. –
- 4 4.1. Fully excavated in by H. Wild (Franco-Swiss mission led by J. Schwartz) in 1948.
4.2. Visited in January 2010 by B. Redon.
- 5 At least 130 m².
- 6 6.1. Late Hellenistic (E, T)?
6.2. Remodelling in Roman period (E)?
6.3. Beginning of 3rd century AD (E)?
- 7 7.1. Hybrid baths with probable retrograde circuit.
7.2. I: Entrance from north leading to Corridor 1 that opens east into Latrines 7 and a square room, likely a relaxation room (4); to the west, small corridor leading to *Tholos* 3. Second entrance from W? Peripheral corridor around *Tholos* 3?
II: unknown.
- 8 I: one *tholos* (3, diam. 3.70 m) with 10 hip-bathtubs; one rectangular room (4) probably with one or two immersion bathtubs (on north or east walls where no pavement had been preserved).
II: transformation of *Tholos* 3 into round sweat bath or room with round immersion pool (diam. 1.75 m)? (not shown on the plan).
- 9 9.1. I: rectangular furnace (5) between Tank 6 and Room 4.
II: unknown.
9.2. –
- 10 10.1. I: two small oval basins in the corridor around *tholos*; Reservoir 6 with channel maybe to supply with water *Tholos* 3 or one of its basins.
II: unknown.
10.2. –
10.3. I: floors of Rooms 1, 3, and 4 inclined for drainage towards drain through Latrine 7 to east.
II: unknown
- 11 11.1. Wall painted plaster imitating structural decor in Corridor 1.
11.2. Latrine in Room 7.
- 12 12.1. –
12.2. SCHWARTZ, WILD 1950, pp. 51–62.
FOURNET et al. 2013, cat. no. 45.
Fournet, Redon in this volume (a); Guimier-Sorbets, Redon in this volume.
- 13 SCHWARTZ, WILD 1950, pl. XIII (plan), XIV (reconstruction plan and sections), XVI–XVIII (8 photos).
FOURNET et al. 2013, cat. no. 45 (standardised plan).
Fournet, Redon in this volume (a), fig. 7a (typological plate).
44 photos stored in the IFAO archives taken by H. Wild during excavations.



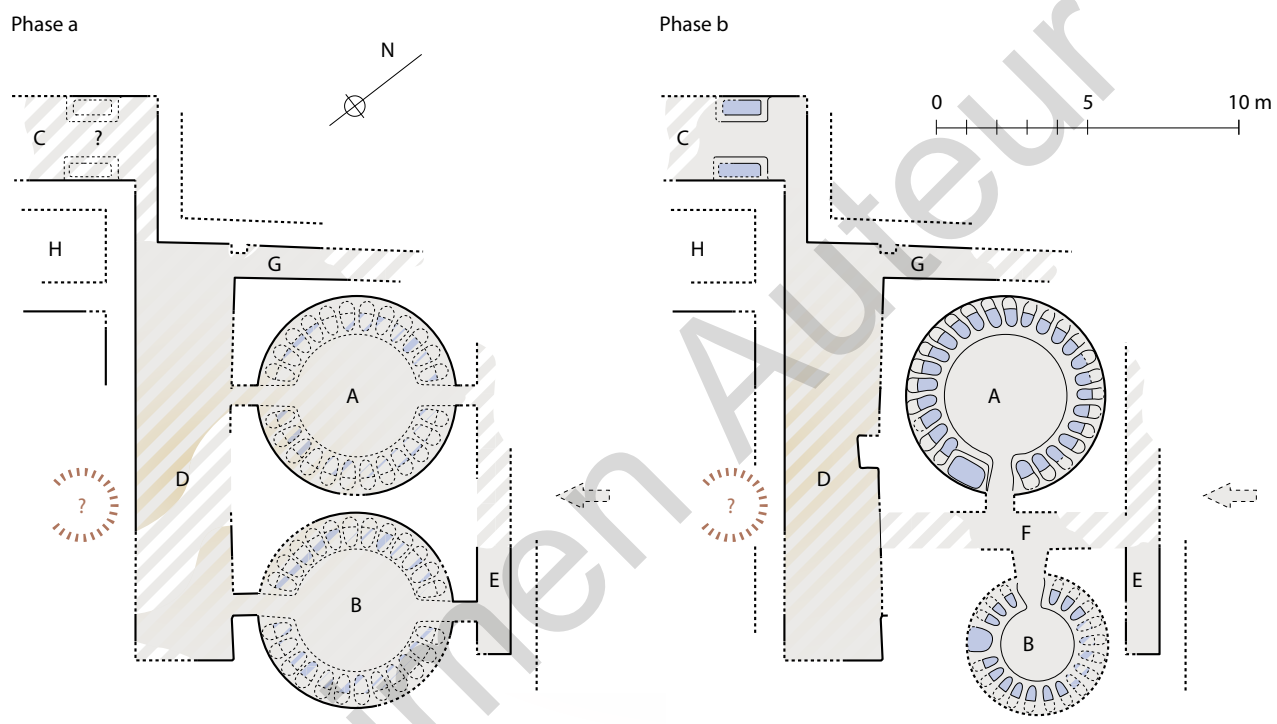
Cat. no.	11 (B119, F49)
1	1.1. Diospolis Parva/Hu 1.2. –
2	2.1. 26°1'17.16" N, 32°16'58.50" E (coordinates of the site) 2.2. Near the Nile river (which has partially destroyed the baths), in a place called Sheikh Hosheimi, 50 m north-east of a school for boys. 2.3. –
3	3.1. Destroyed. 3.2. –
4	4.1. Found by chance in 1958, not excavated. The mosaic said to have been carried to a SCA storeroom of Upper Egypt (Kuft?), but not found so far. 4.2. Visited in February 2010 by B. Redon, not found.
5	At least 50 m ² (surface area of the <i>tholos</i>).
6	6.1. Maybe 2nd century BC (mosaic). 6.2. – 6.3. –
7	7.1. – 7.2. –
8	One <i>tholos</i> (diam. about 7.80 m) with probably 20–21 hip-bathtubs if two doors, 22–23 hip-bathtubs if one door.
9	9.1. – 9.2. –
10	10.1. – 10.2. – 10.3. –
11	11.1. <i>Opus tessellatum</i> mosaic of <i>tholos</i> decorated with marine animals (dolphin, octopus, fish). 11.2. –
12	12.1. – 12.2. HONIGSBERG 1969. DASZEWSKI 1978, pp. 123–125. DASZEWSKI 1982, p. 397. DASZEWSKI 1985, pp. 170–171, cat. no. 46 (analysis of the mosaic). GUIMIER-SORBETS 2009, pp. 104–105 (analysis of the mosaic). FOURNET et al. 2013, cat. no. 49. Guimier-Sorbets, Redon in this volume.
13	HONIGSBERG 1969, fig. 4 (photo). DASZEWSKI 1978, figs. 110–112 (photos). DASZEWSKI 1982, p. 397, fig. 5 (photo). DASZEWSKI 1985, fig. 11 (drawing of the mosaic), pls. 38–39 (photos). FOURNET et al. 2013, cat. no. 49 (standardised plan). Fournet, Redon in this volume (a), fig. 7b (typological plate); Guimier-Sorbets, Redon in this volume, fig. 3 (photo), 29 (plan).



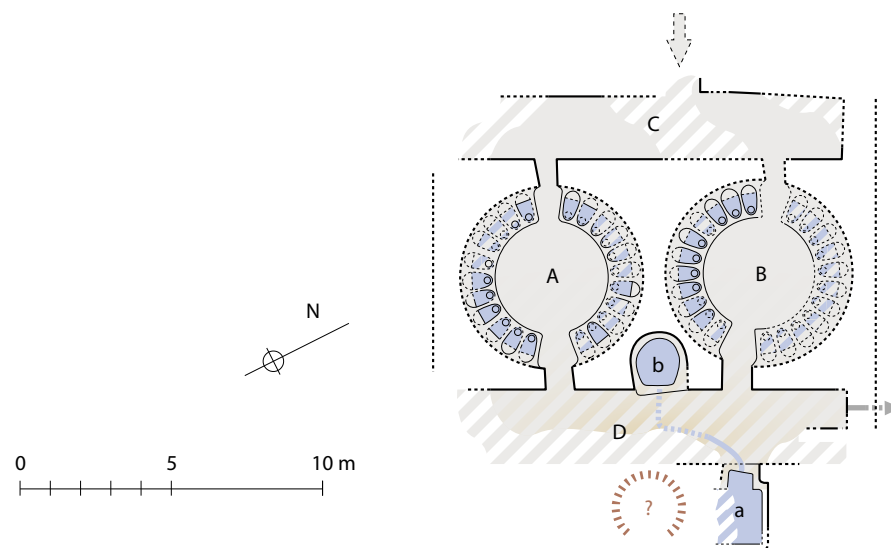
Cat. no.	12 (B295, F47)
1	1.1. Euhemeria/Qasr el-Banat, Bath 1
	1.2. –
2	2.1. 29°22'25.91" N, 30°32'30.87" E
	2.2. Western limit of the <i>kom</i> .
	2.3. –
3	3.1. Poorly preserved.
	3.2. –
4	4.1. Unknown date of discovery and excavations; first mentioned by el-Khachab in 1978. Recent reinvestigation by C. Römer (Fayum Survey Project and DAIK mission)
	4.2. Visited in May 2010 by B. Redon and April 2011 by Th. Fournet, B. Redon and M. Vanpeene, with C. Römer.
5	310 m ² .
6	6.1. Hellenistic (T).
	6.2. II: pavements and hip-bathtubs remodelled many times; one major remodelling to reduce the size of <i>tholos</i> B at unknown date.
	6.3. –
7	7.1. I and II: classical <i>tholos</i> model with circular circuit.
	7.2. I: entrance from east in Corridor E giving access to the two <i>tholoi</i> (A, B) that open west to the distribution Corridor D; it gives access to a probable relaxation room in the north-west corner (C). A small corridor (G) connects Halls D and E.
	II: entrance from east in Corridor E leading to a central corridor (F) which opens on both sides onto <i>Tholoi</i> A and B; Corridor F probably leads to the distribution Hall D, that still opens onto Room C; Corridor G still connecting Halls D and E.
8	I: two <i>tholoi</i> of equal size (A, B; both diam. about 6.50 m) with c. 24 hip-bathtubs; probably one room with immersion bathtubs (predecessor of C?).
	II: one large <i>tholos</i> (A) with 25 hip-bathtubs and one double hip-bathtub/small immersion bathtub, one small <i>tholos</i> (B; diam. about 4.70 m) with 13 preserved hip-bathtubs, one double hip-bathtub/small immersion bathtub and five hypothetical hip-bathtubs (probably transformed into a bench in a later phase); one room with at least two immersion bathtubs (C).
9	9.1. I and maybe II: probably furnace to the south-west of Corridor D.
	9.2. –
10	10.1. I and II: probably reservoir to the south of Corridor D, in the south-west corner of the building.
	10.2. –
	10.3. –
11	11.1. –
	11.2. –
12	12.1. –
	12.2. EL-KHACHAB 1978, p. 65.
	DAVOLI 1998, p. 295.
	FOURNET et al. 2013, cat. no. 47.
	RÖMER 2013, pp. 230–232.
	Fournet, Redon in this volume (a); Guimier-Sorbets, Redon in this volume.

Cat. no. 12 (B295, F47)

- 13 EL-KHACHAB 1978, pl. 66–67 (photo).
 RÖMER 2013, figs. 2, 4–5 (photos), fig. 3 (plan).
 FOURNET et al. 2013, cat. no. 47 (standardised plan).
 Fournet, Redon in this volume (a), fig. 7b (typological plate); Guimier-Sorbets, Redon in this volume, fig. 26 (photo).

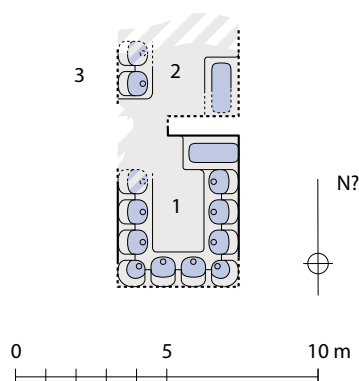


Cat. no.	13 (B296, F48)
1	1.1. Euhemeria/Qasr el-Banat, Bath 2 1.2. –
2	2.1. 29°22'22.84" N, 30°32'38.58" E 2.2. Eastern limit of the <i>kom</i> . 2.3. –
3	3.1. Poorly preserved. 3.2. –
4	4.1. Unknown date of discovery and excavations. Recent reinvestigation by C. Römer (Fayum Survey Project and DAIK mission). 4.2. Visited in May 2010 by B. Redon and April 2011 by Th. Fournet, B. Redon and M. Vanpeene, with C. Römer.
5	At least 210 m ² .
6	6.1. Hellenistic. 6.2. Pavements renewed several times but no apparent major remodelling. 6.3. –
7	7.1. Classical <i>tholos</i> model with circular or retrograde circuit (depending on the existence, or not, of a corridor south of <i>Tholos A</i>) 7.2. Entrance from west into corridor C that gives direct access to the two <i>tholoi</i> (A, B); they open into the distribution corridor (D); hypothetical relaxation room in the south-east corner; possible corridor S of <i>Tholos A</i> connecting Corridors C and D.
8	Two <i>tholoi</i> (A, B; both diam. about 6.05 m) with each 22 hip-bathtubs; possible room with immersion bathtubs in the south-west corner.
9	9.1. Probably furnace to the east of and close to Reservoir a, in front of Basin b. 9.2. –
10	10.1. L-shaped reservoir (a), connected via a pipe (made of lead and inserted into a terracotta pipe) to semi-circular basin (b) between the two <i>tholoi</i> . 10.2. – 10.3. Drainage pipe leading wastewater northwards, outside of Corridor D.
11	11.1. – 11.2. –
12	12.1. – 12.2. EL-KHACHAB 1978, p. 65. DAVOLI 1998, p. 295. FOURNET et al. 2013, cat. no. 48. RÖMER 2013, pp. 232–235. Fournet, Redon in this volume (a); Guimier-Sorbets, Redon in this volume.
13	DAVOLI 1998, p. 299 (photo). RÖMER 2013, figs. 6, 8–10 (photos), fig. 7 (plan). FOURNET et al. 2013, cat. no. 48 (standardised plan). Fournet, Redon in this volume (a), fig. 7a (typological plate).

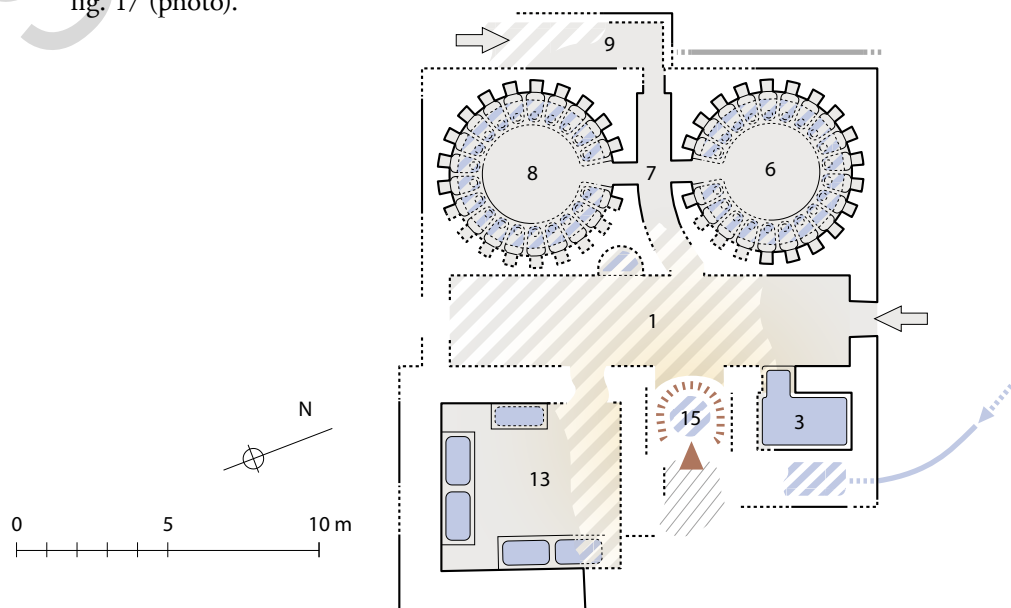


Cat. no.	14 (B315, F51)
1	1.1. Kom Demes 1.2. – 2.1. 31°22'26.45" N, 30°33'51.74" E (coordinates of the site)
2	2.2. – 2.3. –
3	3.1. Destroyed. 3.2. –
4	4.1. Mentioned by L. Habachi (SCA) to H. Wild before 1950. No other information. 4.2. Not visited.
5	–
6	6.1. – 6.2. – 6.3. –
7	7.1. – 7.2. –
8	One <i>tholos</i> with hip-bathtubs?
9	9.1. – 9.2. –
10	10.1. – 10.2. – 10.3. –
11	11.1. – 11.2. – 12.1. –
12	12.2. SCHWARTZ, WILD 1950, pp. 60–61, n. 2. FOURNET et al. 2013, cat. no. 51.
13	No plan or photo published.

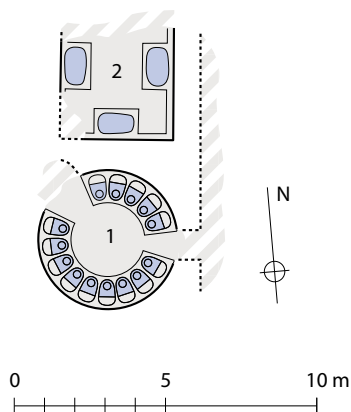
Cat. no.	15 (B297, F52)
1	1.1. Kom Ganady 1.2. –
2	2.1. 31°7'2.75" N, 30°18'43.38" E (coordinates of the site) 2.2. – 2.3. –
3	3.1. Destroyed. 3.2. –
4	4.1. Excavated during rescue excavations in 1962 by K. Sedky (SCA). 4.2. Not visited.
5	At least 50 m ² .
6	6.1. Hellenistic (T)? 6.2. – 6.3. –
7	7.1. – 7.2. –
8	One rectangular room (1) with 10 hip-bathtubs and one immersion bathtub (or reservoir?); additional rooms, among them one, to the north (2), with at least one immersion bathtub and one hip-bathtub (or two hip-bathtubs?).
9	9.1. Furnace, which possibly heated some rooms through a duct? 9.2. –
10	10.1. Basin (2.30 × 1.10 m) to south of Room 1, with drain and steps?; well near this basin; basin of 1.50 × 1.50 m (south-east of the well?); two interconnected basins at different levels, fed by the well, at unknown location; reservoir in (heated?) room. 10.2. – 10.3. North-south channel (drain?) ran to the west of the baths (3).
11	11.1. – 11.2. Fluted marble base, most likely of a <i>louterion</i> found to the east of the interconnected basins.
12	12.1. – 12.2. SEDKY 1968. FOURNET et al. 2013, cat. no. 52. Fournet, Redon in this volume (a).
13	SEDKY 1968, figs. 1–6 (photos). Schematic plan in FOURNET et al. 2013, cat. no. 52, after description by Sedky and photo SEDKY 1968, pl. III, fig. 5. Fournet, Redon in this volume (a), fig. 7b (typological plate).



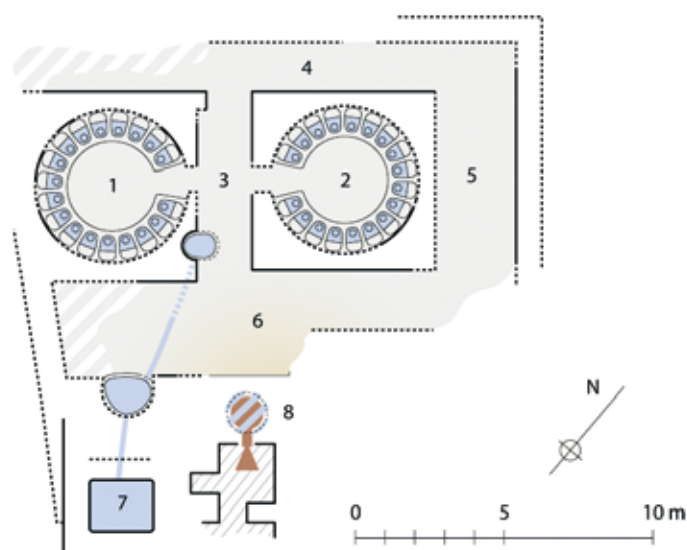
Cat. no.	16 (B320, F53)
1	1.1. Kom el-Khamsin 1.2. –
2	2.1. 29°6'7.92" N, 30°39'30.00" E 2.2. Northern limit of the <i>kom</i> . 2.3. –
3	3.1. Well preserved, partly restored, but slowly vanishing. 3.2. –
4	4.1. Nearly completely excavated in 1999 by S.M.M. Helal (SCA), with the punctual collaboration of R. Pintaudi and A. Giammarusti (Italian mission of Medinet Madi) for the architectural survey in 2006. 4.2. Visited in April 2011 by Th. Fournet, B. Redon and M. Vanpeene.
5	270 m ² .
6	6.1. Beginning of the 2nd century AD (HELAL 2009–2010), but more likely Hellenistic (2nd or 1st century BC) from the pottery presented in HELAL 2009–2010, pp. 211–212 and typology. 6.2. – 6.3. –
7	7.1. Classical <i>tholos</i> model with retrograde circuit. 7.2. Entrance from west in a small corridor (9) leading to a central corridor (7) giving access on both sides to the two <i>tholoi</i> (6, 8) and, to the east, to the distribution corridor (1) that opens onto the relaxation room (13). A secondary entrance to the north, directly into Hall 1.
8	Two <i>tholoi</i> (6, 8; both diam. about 5.30 m) each with 20 hip-bathtubs; one rectangular room with five immersion bathtubs (13).
9	9.1. Probably large furnace with boiler (15). 9.2. Heating wall in Room 13?
10	10.1. L-shaped reservoir (3); probably adjacent water-tower in north-east corner; supplied by channel (or aqueduct) from north. 10.2. – 10.3. Drain along south and west façade.
11	11.1. – 11.2. Corridor 1 was vaulted; Room 13 was covered by a dome (remains of pendentives in the south-east and south-west corners).
12	12.1. – 12.2. HELAL 2009–2010. FOURNET et al. 2013, cat. no. 53. Fournet, Redon in this volume (a); Guimier-Sorbets, Redon in this volume.
13	HELAL 2009–2010, fig. 1 (plan), pp. 209–224 (46 photos). FOURNET et al. 2013, cat. no. 53 (standardised plan). Fournet, Redon in this volume (a), fig. 7a (typological plate); Guimier-Sorbets, Redon in this volume, fig. 17 (photo).



Cat. no.	17 (B308, F54)
1	1.1. Kom en-Negileh 1.2. –
2	2.1. 30°55'22.81" N, 30°14'25.97" E (coordinates of the site) 2.2. South area of the <i>kom</i> , western limit. 2.3. –
3	3.1. Destroyed. 3.2. –
4	4.1. Excavated by G. Beghé (SCA) before 1923. 4.2. Not visited.
5	At least 70 m ² .
6	6.1. Hellenistic (T) 6.2. – 6.3. –
7	7.1. – 7.2. –
8	One <i>tholos</i> (1; diam. about 4.60 m) with 14 hip-bathtubs; one rectangular room with three immersion bathtubs (2); one rectangular room with an unknown number of immersion bathtubs to the north.
9	9.1. – 9.2. –
10	10.1. Well (diam. 2 m), built in limestone blocks, 11 m west of the baths. 10.2. – 10.3. –
11	11.1. – 11.2. –
12	12.1. – 12.2. BRECCIA 1923, pp. 142–145. SCHWARTZ, WILD 1950, pp. 60–61, n. 2. FOURNET et al. 2013, cat. no. 54.
13	BRECCIA 1923, pl. XII (plan), XIII (photo). FOURNET et al. 2013, cat. no. 54 (standardised plan). Fournet, Redon in this volume (a), fig. 7b (typological plate).

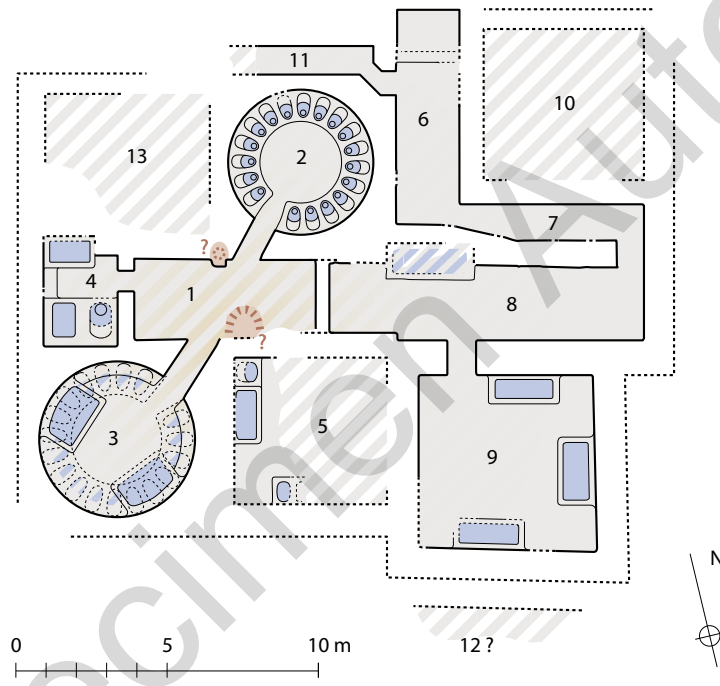


Cat. no.	18 (B312, F55)
1	1.1. Kom Qadi / Kom el-Wasit 1.2. –
2	2.1. 31°10'25.58 N, 30°27'27.18 E 2.2. – 2.3. –
3	3.1. Fairly well preserved. 3.2. –
4	4.1. Discovered (and probably excavated) by N. Farag (SCA) in the 1940s but unpublished and only mentioned by el-Khachab and H. Wild in their publication; partly excavated in 2016 by an Italian mission. 4.2. Visited in November 2011 by Th. Fournet and B. Redon, with M. Kenawi.
5	At least 150 m ² .
6	6.1. Second half of the Hellenistic period (E: pottery and coin of the 2nd century BC found during excavations) 6.2. – 6.3. –
7	7.1. Classical <i>tholos</i> model with circular circuit. 7.2. From the archival photos of H. Wild and the partial excavations of 2016: entrance from north in Hall 4 that gives access to a central corridor (3) opened on both sides into two <i>tholoi</i> (1, 2), and to a distribution corridor (6). A peripheral corridor (5) connects the entrance hall and the distribution hall.
8	Two <i>tholoi</i> (1, 2; both diam. about 5,10 m) each with 18 hip-bathtubs.
9	9.1. Probably large furnace with boiler (8). 9.2. –
10	10.1. Tank (7) connected to two bassins in Rooms 6 and 3. 10.2. – 10.3. –
11	11.1. – 11.2. –
12	12.1. – 12.2. EL-KHACHAB 1949, p. 7, n. 3. SCHWARTZ, WILD 1950, pp. 60–61, n. 2, pl. XV. FOURNET et al. 2013, cat. no. 55. Fournet, Redon a in this volume; Guimier-Sorbets, Redon in this volume; Kenawi, Larosa in this volume.
13	Schematic plan in FOURNET et al. 2013, cat. no. 55 after description by SCHWARTZ, WILD 1950, pp. 60–61, n. 2, personal observations of Th. Fournet, B. Redon and M. Trümper. Kenawi, Larosa in this volume, figs. 5–7, 10–13 (photos), 8 (geophysical map), 9 (plan); Fournet, Redon in this volume (a), fig. 7b (typological plate). Five unpublished photos of <i>Tholos</i> 1 taken by H. Wild in 1948 and stored in the IFAO archives.



Cat. no.	19 (B302, F59)
1	1.1. Krokodilopolis / Medinet el-Fayoum, East Baths 1.2. –
2	2.1. 29°19'21.33" N, 30°50'0.15" E 2.2. About 600 m south of the main temple, in the centre of the ancient town (?), in a place called nowadays "Ptolemaic temple". 2.3. –
3	3.1. Today covered by vegetation. 3.2. –
4	4.1. Probably excavated in 1965–1966 by the SCA (F. Yacoub?); restored by Supreme Council of Antiquities in the 1990s (information of P. Davoli). 4.2. Visited in April 2011 by Th. Fournet, B. Redon and M. Vanpeene, not visible.
5	–
6	6.1. Hellenistic (T). 6.2. – 6.3. –
7	7.1. Probable classical <i>tholos</i> model with unknown bathing circuit. 7.2. The published photos are not clear enough to restore the bathing circuit, but the baths clearly comprise at least two <i>tholoi</i> , two rectangular rooms and several corridors.
8	Two <i>tholoi</i> with hip-bathtubs; probably other bathing facilities.
9	9.1. – 9.2. –
10	10.1. – 10.2. – 10.3. –
11	11.1. <i>Tholoi</i> and rectangular rooms decorated with mosaic floors; in the two <i>tholoi</i> , circular panel with a rosette. 11.2. –
12	12.1. – 12.2. LECLANT 1967, p. 191. DAVOLI 1998, p. 155. TRÜMPER 2009, table 3. DAVOLI, MOHAMMED AHMED 2006, p. 85. FOURNET et al. 2013, cat. no. 59. Guimier-Sorbets, Redon in this volume.
13	No plan published. LECLANT 1967, pl. XXXIII, figs. 21–22 (two photos). DAVOLI 1998, p. 155, fig. 67 (general view). Guimier-Sorbets, Redon in this volume, fig. 31 (photo). One unpublished photo of P. Davoli taken in the 1980s showing the detail of the central panel of one of the <i>tholoi</i> .

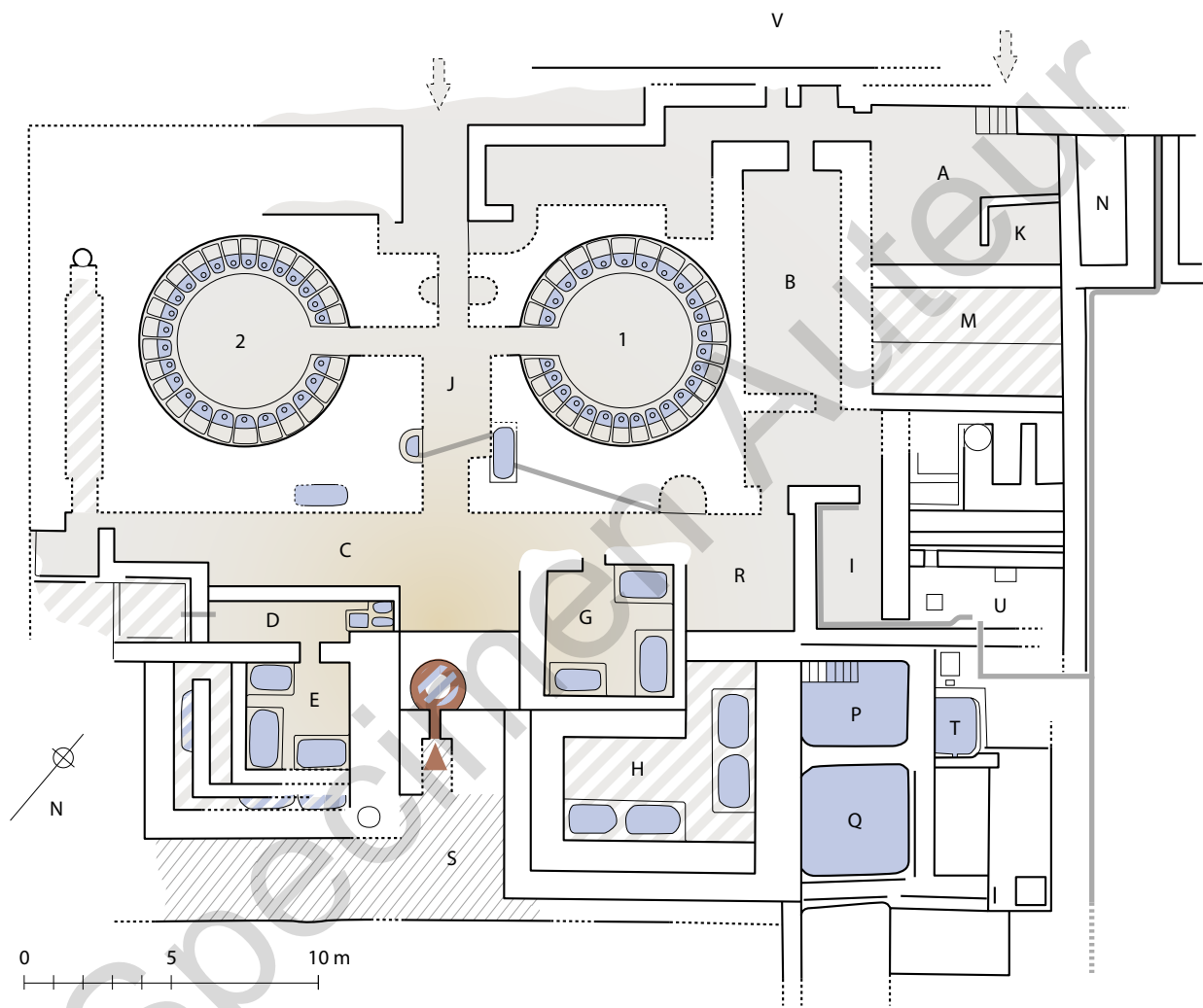
Cat. no.	20 (B303, F58)
1	1.1. Krokodilopolis / Medinet el-Fayoum, North Baths 1.2. –
2	2.1. 29°19'44.35" N, 30°49'53.23" E 2.2. Northern limit of the <i>kom</i> , 350 m west of the main temple's south-west corner. 2.3. –
3	3.1. Relatively well preserved (all walls robbed out). 3.2. –
4	4.1. Fully excavated in 2006 by the SCA under the supervision of M. Abd el-Aal, but unpublished. 4.2. Visited in April 2011 by Th. Fournet, B. Redon and M. Vanpeene.
5	About 405 m ² .
6	6.1. Ptolemaic (T). 6.2. At least one major remodelling phase, maybe in Late Ptolemaic/Early Roman times (T). 6.3. –
7	7.1. I: possible non-classical <i>tholos</i> model with staggered <i>tholoi</i> and radiating circuit. II: hybrid bath with two retrograde and separated circuits. 7.2. I: entrance in Hall 13, leading to Corridor 1 that opens on both sides into <i>Tholoi</i> 2 and 3, and into the relaxation room (5) in the south-east corner. II: circuit apparently divided into two sections. West: possible entrance from Hall 13, leading to distribution Hall 1, giving access to <i>Tholoi</i> 2 and 3 (transformed into a relaxation room), and relaxation Rooms 4 and perhaps 5; East: entrance from north-west corner into Corridor 11, leading to Corridor 6 (probably opening onto Room 10), with a small recess to the north; Corridor 6 leads to Corridor 7 that gives access to Room 8, that finally opens into a relaxation room (9).
8	I: two <i>tholoi</i> (2, diam. about 4.80 m; 3, diam. about 5.10 m), most likely each with 18 hip-bathtubs (preserved in 2) and one rectangular room with at least two immersion bathtubs and a hip-bathtub (5). II, West section: 18 hip-bathtubs in <i>Tholos</i> 2, two large immersion bathtubs in <i>Tholos</i> 3, one hip-bathtub and one immersion bathtub in Room 4; East section: at least three immersion bathtubs in Room 9 and possibly other immersion bathtubs in Room 10 (?).
9	9.1. I:? II: furnace (with boiler?) in Room 1, heated from north-west corner of Room 5 (which was probably abandoned as bathing room at this time)? 9.2. –
10	10.1. Reservoir in Room 4 and probably in Room 8. 10.2. – 10.3. –
11	11.1. – 11.2. –
12	12.1. – 12.2. TRÜMPER 2009, table 5. FOURNET et al. 2013, cat. no. 58. Fournet, Redon in this volume (a); Guimier-Sorbets, Redon in this volume.
13	FOURNET et al. 2013, cat. no. 58 (standardised plan). Fournet, Redon in this volume (a), fig. 7a (typological plate), 11 (state plan and photo); Guimier-Sorbets, Redon in this volume, fig. 24 (photo).



State plan

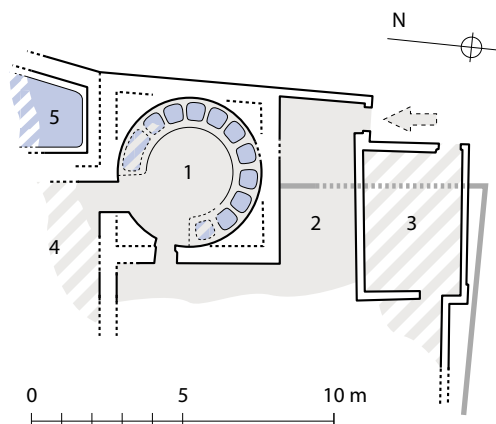
Cat. no.	21 (B304, F57)
1	1.1. Krokodilopolis/Medinet el-Fayoum, North-West Baths 1.2. –
2	2.1. 29°19'31.89" N, 30°49'46.43" E 2.2. North-west limit of the <i>kom</i> , 600 m south-west of the main temple, in an area called "small baths" nowadays. 2.3. –
3	3.1. Submerged. 3.2. –
4	4.1. Probably discovered in 1964 and excavated in 1965 by F. Yacoub (SCA) but unpublished. 4.2. Visited in April 2011 by Th. Fournet, B. Redon and M. Vanpeene, not found (hidden by vegetation and water).
5	
6	6.1. 6.2. – 6.3. –
7	7.1. – 7.2. –
8	One <i>tholos</i> with 20 hip-bathtubs, one room with one or two immersion bathtubs.
9	9.1. – 9.2. –
10	10.1. One (semi-circular?) basin near the entrance of the <i>tholos</i> visible in EL-KHACHAB 1978, fig. 2. 10.2. – 10.3. –
11	11.1. – 11.2. –
12	12.1. – 12.2. DAVOLI, MOHAMMED AHMED 2006, p. 85. TRÜMPER 2009, table 3. FOURNET et al. 2013, cat. no. 57.
13	EL-KHACHAB 1978, p. 78, fig. 2 and pl. XXIXb (photos). DAVOLI, MOHAMMED AHMED 2006, pl. VI (photo). One unpublished photo of P. Davoli taken in the 1980s from the E, showing the <i>tholos</i> and one immersion bathtub.

Cat. no.	22 (B305, F56)
1	1.1. Krokodilopolis / Medinet el-Fayoum, “Sarapeion” 1.2. –
2	2.1. Circa 29°19'17.8" N, 30°49'48.8" E (coordinates of the site) 2.2. South-west limit (?) of the <i>kom</i> . 2.3. –
3	3.1. Destroyed. 3.2. –
4	4.1. Fully excavated in 1964 by F. Yacoub (SCA), published by EL-KHACHAB 1978. 4.2. Visited in April 2011 by Th. Fournet, B. Redon and M. Vanpeene, not found.
5	About 980 m ² .
6	6.1. Hellenistic (T). 6.2. Plan suggests remodelling phases (e.g., Room G added later, Rooms E and H remodelled etc.) maybe in Late Ptolemaic/Early Roman period (T). 6.3. –
7	7.1. Difficult to assess since the published plan mix remains from different phases. Probable classical <i>tholos</i> model at first, transformed into hybrid bath. 7.2. Entrance from south-east into a central corridor (J), opened on both sides onto two <i>tholoi</i> (1, 2) and leading to Hall C, that gives access to the relaxation rooms (E via D, G and R). Possible secondary (or service?) entrance in the south corner, in Room A, giving access to a winding corridor that leads either to Corridor J or to Room B. Rooms B and R lead to Latrines I.
8	Two <i>tholoi</i> (1, 2; both diam. about 7.15 m) each with 26 hip-bathtubs; three rectangular rooms with a total of 10 immersion bathtubs (E, G, H), but probably not functioning at the same time. Remains of an other room fitted with three bathtubs under Room E.
9	9.1. Probably furnace with boiler (F) and probably heating walls in Rooms E, G and H. 9.2. –
10	10.1. Three large reservoirs (P, Q, T); several small basins in corridors (C, J); three small basins in Room D. 10.2. – 10.3. Water from south-west bathing rooms is drained through Rooms I and U to the W, along the south-west façade; water from north-west rooms drained through a pipe in the north wall of Room D.
11	11.1. – 11.2. Largest bath building found in Egypt; includes many rooms of unknown function, among them probably two or three latrines (I, N, room north of D).
12	12.1. – 12.2. LECLANT 1967, p. 191. EL-KHACHAB 1978, pp. 65–67. DAVOLI 1998, p. 152, fig. 70. DAVOLI, MOHAMMED AHMED 2006, p. 85, pl. VII, XLI. FOURNET et al. 2013, cat. no. 56. Fournet, Redon in this volume (a).
13	LECLANT 1967, pl. XXXIV, fig. 23 (photo). EL-KHACHAB 1978, plan 3 (plan), pl. 55–59 (photos). FOURNET et al. 2013, cat. no. 56 (standardised plan). Fournet, Redon in this volume (a), fig. 7a (typological plate).



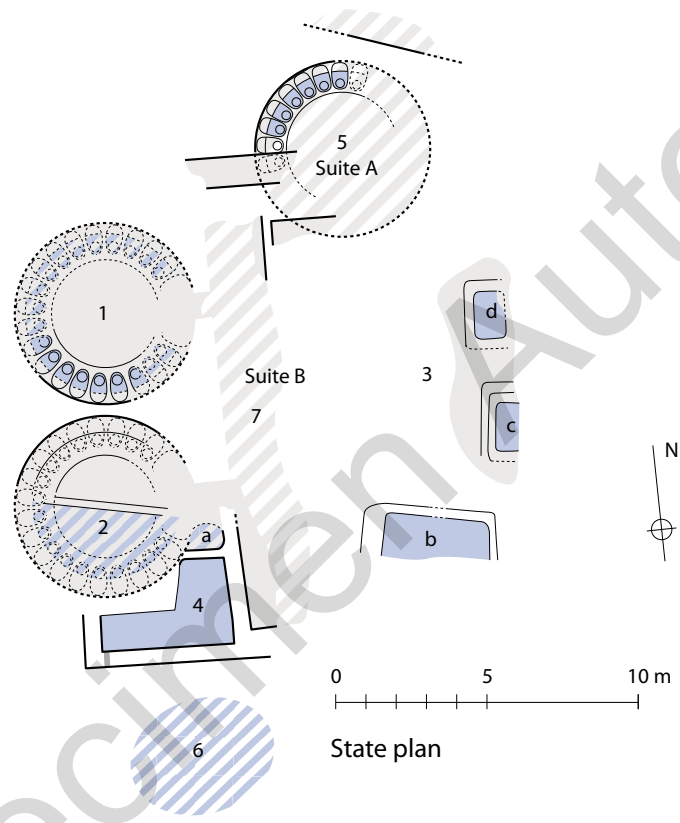
State plan

Cat. no.	23 (B134, F60)
1	1.1. Marina el-'Alamein, Greek Baths 1.2. –
2	2.1. 30°49'28.45" N, 29°0'40.50" E 2.2. In the town centre, north of a public square with porticoes (agora?). 2.3. –
3	3.1. Well preserved. 3.2. –
4	4.1. Rescue excavations in 1987 by Polish Archaeological Mission (W.A. Daszewski) but not fully published. Ongoing reassessment by R. Czener (Polish-Egyptian Preservation Mission). 4.2. Visited in May 2015 by B. Redon and M. Vanpeene with R. Czener.
5	At least 105 m ² .
6	6.1. 1st century AD (E). 6.2. Many traces of remodelling (cannot be assessed in detail). 6.3. –
7	7.1. – 7.2. Entrance from the street into a central space (2, Room? Courtyard?), opening south onto a rectangular room (3) perhaps functioning with the baths, and north onto a <i>tholos</i> (1).
8	One <i>tholos</i> (1, diam. about 4.85 m) with 10 hip-bathtubs and one double hip-bathtub or immersion bathtub.
9	9.1. – 9.2. –
10	10.1. Rectangular reservoir (5). 10.2. – 10.3. Pipe running south from the <i>tholos</i> , passing under Room 3 and leading water outside, under the street.
11	11.1. – 11.2. Walls in limestone, <i>tholos</i> with dome in red brick.
12	12.1. – 12.2. DASZEWSKI 1991, p. 16. DASZEWSKI 1995, pp. 18–19. DASZEWSKI 2002, p. 86 DASZEWSKI 2011, p. 429. FOURNET et al. 2013, cat. no. 60. Fournet, Redon in this volume (a); Guimier-Sorbets, Redon in this volume; Redon in this volume.
13	DASZEWSKI 1995, fig. 3 (incomplete plan), fig. 4 (photo). DASZEWSKI 2011, fig. 4 (general plan of the area). FOURNET et al. 2013, cat. no. 60 (standardised plan). See also Bąkowska-Czerner, Czerner in this volume, fig. 1; Fournet, Redon in this volume (a), fig. 7b (typological plate).



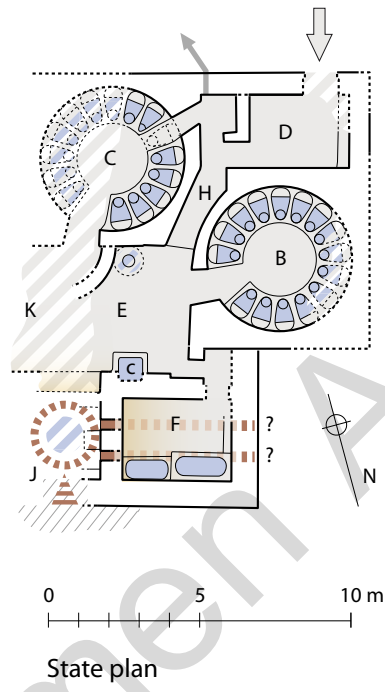
Cat. no.	24 (B314, F61)
1	1.1. Marsa Matruh 1.2. –
2	2.1. 31°21'6.56" N, 27°14'7.61" E (coordinates of the site) 2.2. In a place called Hafket Saad Helouan. 2.3. –
3	3.1. Probably destroyed. 3.2. –
4	4.1. Seen by A. Adriani in 1936 during a visit; probably unearthed by chance. 4.2. Not visited.
5	–
6	6.1. Hellenistic (T)? 6.2. – 6.3. –
7	7.1. – 7.2. –
8	One small round room with seven hip-bathtubs; additional rooms, among them one with two oval-shaped basins (immersion bathtubs?).
9	9.1. – 9.2. –
10	10.1. – 10.2. – 10.3. –
11	11.1. – 11.2. Walls in limestone (and not in red bricks).
12	12.1. – 12.2. ADRIANI 1940, p. 161. FOURNET et al. 2013, cat. no. 61.
13	No plan published. ADRIANI 1940, p. 161, pl. LXV, 1 (photo).

Cat. no.	25 (B319, F62)
1	1.1. Sais / Sa el-Hagar 1.2. –
2	2.1. 30°57'54.23" N, 30°46'08.38" N 2.2. Near the "Great Pit", urban context unknown. 2.3. –
3	3.1. Very poorly preserved. 3.2. –
4	4.1. Excavated in 1974 by I. Amer (SCA) and re-examined in 1999 by P. Wilson (EES, Durham University). 4.2. Not visited but recent and ancient photos sent by P. Wilson.
5	About 415 m ² (both Suites).
6	6.1. Both Suites are probably Hellenistic (T). 6.2. Suite A (Phase I) is likely older and abandoned when Suite B is built (Phase II) since walls belonging to Suite B overlap <i>Tholos</i> 5 that belongs to Suite A, which is, also, located on a lower level than Suite B. Phase III: at least one major remodelling of Suite B, probably in Late Ptolemaic/Early Roman times (T). 6.3. –
7	7.1. I: unknown; II: classical <i>tholos</i> model?; III: hybrid type? 7.2. The remains are not clear, but from parallels of other transitional baths, we assume the following evolution: I: unknown, at least one <i>tholos</i> (5), possibly additional rooms. II: entrance from west probably leading to a peripheral corridor (likely located to the north) that gives access to Hall 7. From there, access to the two <i>tholoi</i> (1 and 2) and a possible relaxation room (3). III: probably same circuit but transformation of one <i>tholos</i> .
8	I: one <i>tholos</i> (5, diam. about 5.80 m) with c. 20–22 hip-bathtubs. II: two <i>tholoi</i> (1, 2, both diam. about 6 m) each with about 20–22 hip-bathtubs and possibly one rectangular room with immersion bathtubs (3). III: one <i>tholos</i> (1) with about 20–22 hip-bathtubs (over those of phase II), one <i>tholos</i> (2) with half-circular immersion pool and one rectangular room with at least two immersion bathtubs (3).
9	9.1. – 9.2. –
10	10.1. I: ?. II and III: L-shaped reservoir (4), well or circular cistern to the south (6), large basin south of Room 3 (b), small basin north of Reservoir 4 (a). 10.2. – 10.3. Pipe system found around the bath building, but location not clearly specified (for fresh water or wastewater?)
11	11.1. – 11.2. –
12	12.1. – 12.2. WILSON 2006, pp. 132–137. FOURNET et al. 2013, cat. no. 62. Fournet, Redon in this volume (a); Guimier-Sorbets, Redon in this volume.
13	WILSON 2006, p. 133, fig. 35 (plan). FOURNET et al. 2013, cat. no. 62 (standardised plan). Fournet, Redon in this volume (a), fig. 7a (typological plate with Phases II–III).



Specimen Auteur

Cat. no.	26 (B113, F63)
1	1.1. Schedia / Kom el-Giza 1.2. –
2	2.1. 31°8'25.03" N, 30°11'31.55" E 2.2. In Hellenistic area, near a huge building (warehouse?). 2.3. –
3	3.1. Fairly well preserved, heavily restored and slowly vanishing. 3.2. –
4	4.1. Partially excavated in 1984 by A. Abd el-Fattah (SCA, Graeco-Roman Museum of Alexandria); reassessed by M. Bergmann and M. Heinzelmänn (German mission) in 2003–2014, but the east part of the baths still hidden by a house. 4.2. Visited in April 2014 by Th. Fournet and B. Redon with M. Bergmann.
5	At least 140 m ² .
6	6.1. Late 3rd century/early 2nd century BC (E). 6.2. Remodelled at unknown date with at least the addition of Room F and probably other transformations. See Fournet, Redon in this volume (a) for a comprehensive discussion. 6.3. 1st century AD (E).
7	7.1. See Fournet, Redon in this volume (a): probable progressive hybridisation. 7.2. See Fournet, Redon in this volume (a) for a detailed description of the transformation of the circuit and layout of the baths. Hereafter, simple description as proposed by BERGMANN, HEINZELMANN 2009. I: entrance from south into Cloakroom D, leading to Corridor H, opened on distribution Hall E, that gives access to <i>Tholoi</i> B and C. <i>Tholos</i> C also accessed from Corridor H through a small recess. II: <i>idem</i> and addition of a relaxation room (F), reached from Hall E.
8	I: two <i>tholoi</i> (B, C; both probably diam. 4.80 m) each with 15 hip-bathtubs (preserved in B). II: <i>idem</i> and one rectangular room (F) with one immersion bathtub (later second immersion bathtub was added).
9	9.1. I: ?; II: Furnace E of Room F. 9.2. –
10	10.1. I and II?: square basin and <i>labrum</i> in Room E. 10.2. – 10.3. All pavements inclined toward outlet in south façade.
11	11.1. Rooms B, E, and F are paved with a polychrome pebbled floor, Rooms C and D, Corridor H, and a part of Room E with a simpler white-grey-black pebbled floor. 11.2. Rooms D and F with benches.
12	12.1. – 12.2. BERGMANN, HEINZELMANN 2009. FOURNET et al. 2013, cat. no. 63. FOURNET, Redon in this volume (a); Guimier-Sorbets, Redon in this volume.
13	BERGMANN, HEINZELMANN 2009, fig. 3 (plan), fig. 10 (plan with the location of the mosaics), figs. 4–7, 9, 11–12 (photos). FOURNET et al. 2013, cat. no. 63 (standardised plan). Fournet, Redon in this volume (a), fig. 7b (typological plate), 12 (state plan, phase plans and one photo); Guimier-Sorbets, Redon in this volume, figs. 37–38 (photos). Unpublished photos of the SCA and German excavations.

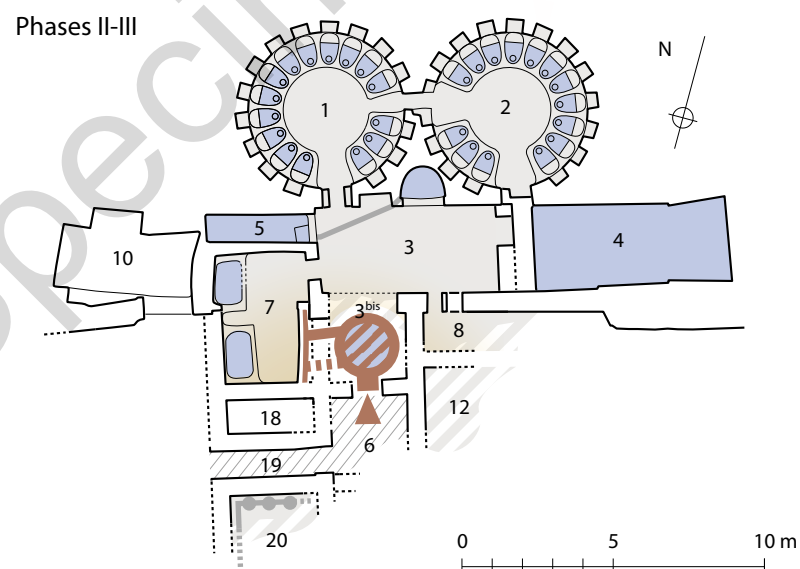
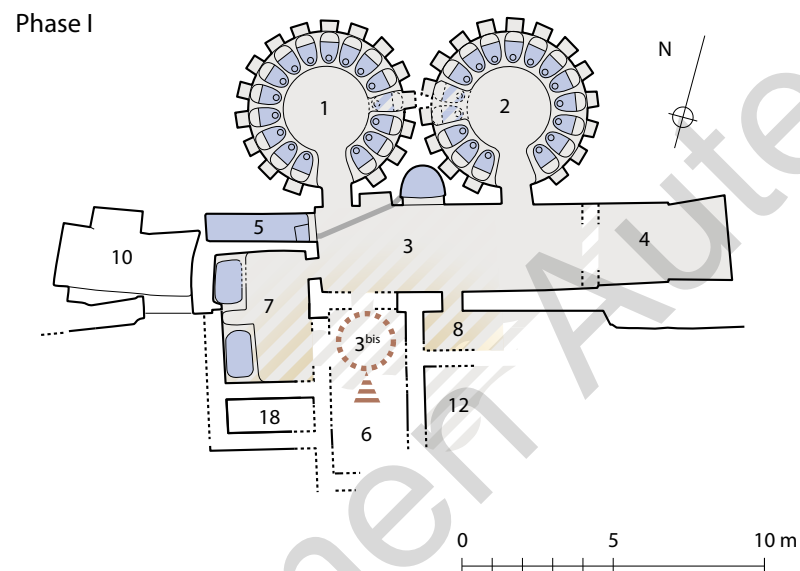


Cat. no.	27 (B313, F64)
1	1.1. Shishet el-Ana'am 1.2. –
2	2.1. 30°53'21.34" N, 30°44'2.49" E (coordinates of the site) 2.2. – 2.3. –
3	3.1. Destroyed. 3.2. –
4	4.1. First mentioned by el-Khachab (SCA) in his publication of 1949 ("recently found"), no other information. 4.2. Not visited.
5	–
6	6.1. – 6.2. – 6.3. –
7	7.1. – 7.2. –
8	Two <i>tholoi</i> each with 17 hip-bathtubs.
9	9.1. – 9.2. –
10	10.1. – 10.2. – 10.3. –
11	11.1. – 11.2. –
12	12.1. – 12.2. EL-KHACHAB 1949, p. 7, n. 3. SCHWARTZ, WILD 1950, pp. 60–61, n. 2. FOURNET et al. 2013, cat. no. 64.
13	No plan or photo published.

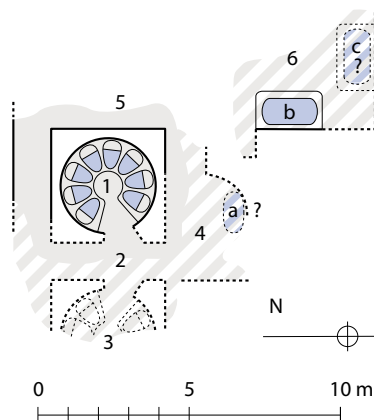
Cat. no.	28 (B08, F65)
1	1.1. Taposiris Magna / Abusir 1.2. –
2	2.1. 30°56'43.61" N, 29°31'8.07" E 2.2. Near the Osiris temple and a necropolis of sacred animals, inserted in a luxurious domestic area. 2.3. –
3	3.1. Well preserved. 3.2. –
4	4.1. Almost fully excavated (except the southern and eastern limits of the baths) in 2003–2011 by Th. Fournet and B. Redon, in the frame of the Taposiris mission led by M.-Fr. Boussac (university of Paris-Ouest Nanterre). 4.2. See 4.1.
5	At least 220 m ² (south-east part not excavated).
6	6.1. Before the middle of 2nd century (E). 6.2. II: large remodelling in the end of 2nd/beginning of 1st century (E). III: later remodelling (non precisely dated). 6.3. End of the Ptolemaic Period (E).
7	7.1. I: probable classical <i>tholos</i> model. II: hybrid bath with radiating circuit. III: <i>idem</i> with retrograde circuit. 7.2. I: baths entered from south (Rooms 12 and 8), giving access to a distribution corridor (3) that opens onto the two <i>tholoi</i> (1, 2) to the north and a possible immersion bathtubs room (7) to the east. II: like I, with insertion of a sophisticated heating system (3bis = furnace, 6, 19 = service area) and latrines (20); the doors of <i>Tholoi</i> 1 and 2, and the door between Rooms 3 and 8 are reduced in size. III: like II, but a tank (4) is fitted in the eastern part of Room 3, blocking the access from Room 3 to <i>Tholos</i> 2; a door is pierced between the two <i>tholoi</i> ; also relocation of the door between Rooms 8 and 3 to the west.
8	I: two <i>tholoi</i> (1, 2; both diam. 5.15 m) each with 16 hip-bathtubs, possibly one room (7) with immersion bathtubs. II: <i>idem</i> , Room 7 is certain. IIIa: two <i>tholoi</i> (1, 2) with 14 and 15 hip-bathtubs; Room 7 with two immersion bathtubs. IIIb: possibly <i>Tholos</i> 2 transformed into a sweat bath.
9	9.1. I: probable furnace at the same location as in Phases II and III but totally destroyed. II and III: furnace (3bis) probably topped by a boiler. 9.2. I: ? II and III: heating wall in Room 7.
10	10.1. I: Reservoir 5 and two basins in Room 3. II and III: like I, with the addition of Tank 4. 10.2. – 10.3. –
11	11.1. Cut into the rock; therefore details such as roofs and niches over hip-bathtubs are well preserved; uniquely well preserved heating system (Room 7: heating wall and vault); latrines (20). 11.2. –
12	12.1. – 12.2. BRECCIA 1923, 146–147; FOURNET 2011; FOURNET et al. 2013, cat. no. 65; FOURNET, REDON 2009, 2013 and in this volume (a); Guimier-Sorbets, Redon in this volume.

Cat. no. 28 (B08, F65)

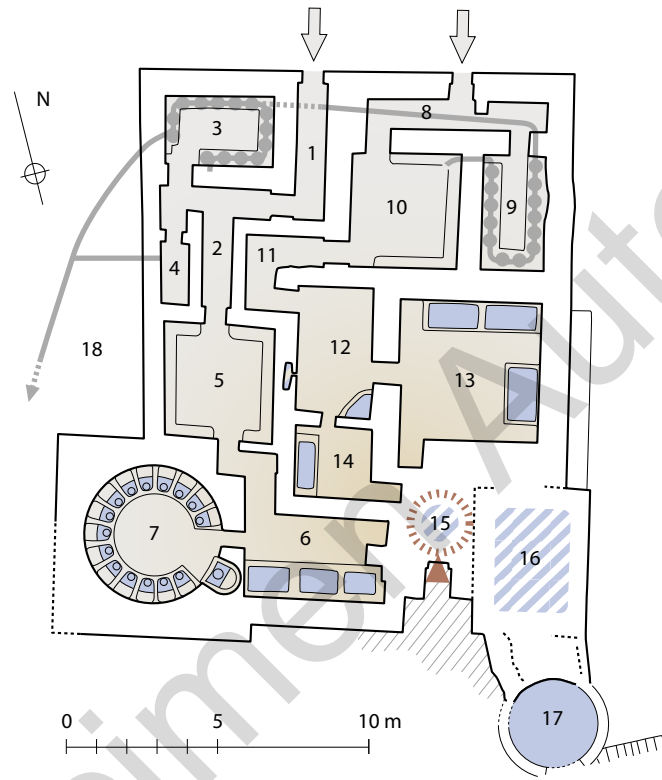
- 13 BRECCIA 1923, pls. XIV–XV (plan and section);
 FOURNET, REDON 2009, figs. 2, 5, 9, 11, 13–19 (photos), figs. 6–8, 10, 12, 20 (plans, sections and drawings); FOURNET 2011, figs. 1–3, 5, 8–9, 16–18, 21–23, 26 (photos), figs. 4, 6–7 (plans), figs. 10–12, 19–20, 24–25, 27 (drawings);
 FOURNET et al. 2013, cat. no. 65 (standardised plan);
 FOURNET, REDON 2013, figs. 1–3, 7–12, 14–18 (photos), figs. 4–6, 13 (plans, sections and drawings);
 Fournet, Redon in this volume (a), fig. 7b (typological plate); Guimier-Sorbets, Redon in this volume, fig. 22 (photo).



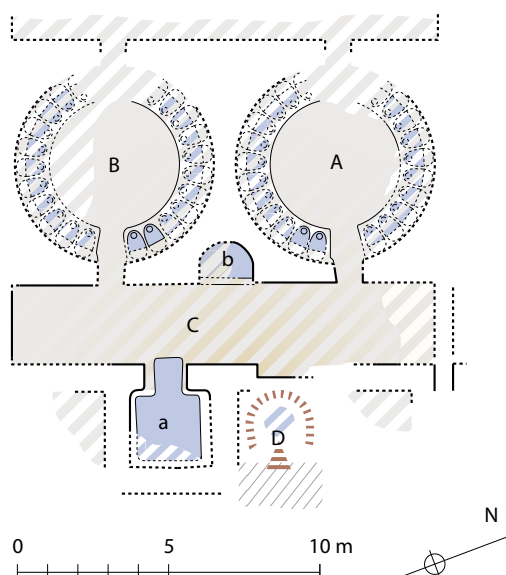
Cat. no.	29 (B289, F68)
1	1.1. Tell Gomaimah 1.2. –
2	2.1. 30°53'33.19" N, 31°53'12.39" E 2.2. – 2.3. –
3	3.1. Destroyed. At the time of the excavations, only limited areas of the baths preserved, all in poor condition. 3.2. –
4	4.1. Excavated in 1999–2000 during rescue excavations by I. Soleman (SCA). 4.2. Not visited.
5	At least 110 m ² .
6	6.1. Hellenistic (T, E). 6.2. – 6.3. –
7	7.1. Unknown (too poorly preserved), but most likely classical <i>tholos</i> model with circular circuit. 7.2. Possible entrance from north in an entrance hall, that gives access to a central corridor (2) opening into one <i>tholos</i> (1). A second one (3) is possibly located on the other side of Corridor 2. To the S, Corridor 2 gives access to a distribution hall (4), leading to a relaxation room (6). A peripheral corridor (5) connects the possible entrance hall and Hall 4.
8	Two <i>tholoi</i> , but only the east one is preserved (1, diam. about 3.15 m) with eight hip-bathtubs, of the west (3, probably also diam. about 3.15 m) only faint remains of (8?) hip-bathtubs were found; at least one rectangular room (6) with two immersion bathtubs (b, c).
9	9.1. – 9.2. –
10	10.1. One oval basin (a) in Hall 4. 10.2. – 10.3. –
11	11.1. – 11.2. –
12	12.1. – 12.2. ASHMAWY ALI 2006, pp. 61–63. ASHMAWY ALI 2009, pp. 203–204. FOURNET et al. 2013, cat. no. 68. Fournet, Redon in this volume (a).
13	ASHMAWY ALI 2009, figs. 2–4 (photos). FOURNET et al. 2013, cat. no. 68 (standardised plan). Fournet, Redon in this volume (a), fig. 7b (typological plate).



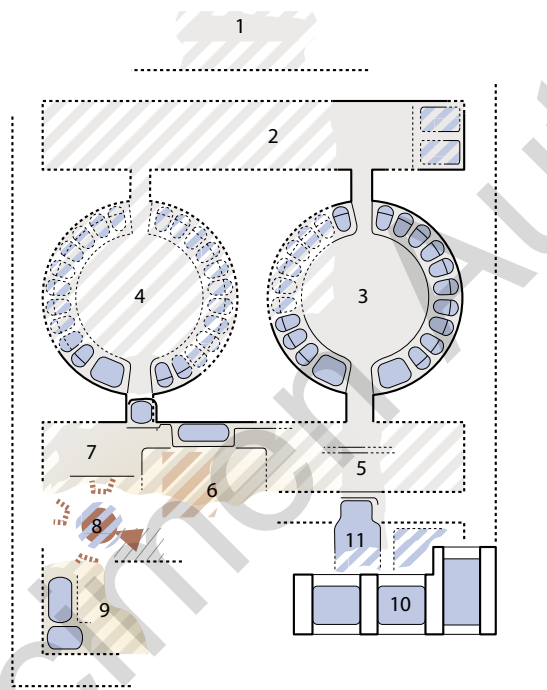
Cat. no.	30 (B05, F69)
1	1.1. Tell el-Herr
	1.2. –
2	2.1. 30°57'53.21" N, 32°29'34.29" E
	2.2. In residential quarter, 210 m from the fortress.
	2.3. –
3	3.1. Well preserved; restored.
	3.2. –
4	4.1. Fully excavated by M. Abd el-Maksoud (SCA) in 1984–1985. Reassessed, through archival documentation, by Th. Fournet and B. Redon in 2006–2007.
	4.2. Visited by B. Redon in May 2010.
5	305 m ² .
6	6.1. Second half of 1st century BC/1st century AD (E, T).
	6.2. –
	6.3. 2nd century AD (E).
7	7.1. Hybrid type with two retrograde circuits.
	7.2. Two separate sections: West: entrance from north in L-shaped Corridor 1, leading to latrines (3), a small recess (4, shower?) and another corridor (2) that opens into Room 5 (waiting room, cloakroom). It gives access to <i>Tholos</i> 7 and a relaxation room (6); East: entrance from north in Corridor 8, giving access to Latrines 9 and a waiting room/cloakroom (10). From there, the U-shaped Corridor 11 leads to Room 12 that opens onto two relaxation rooms (13, 14).
8	West: one <i>tholos</i> (7; diam. about 4.55 m) with 15 hip-bathtubs and one double hip-bathtub and one room (6) with two immersion bathtubs (a third one is added later); East: one room with three immersion bathtubs (13) and one room with one immersion bathtub (14).
9	9.1. Furnace (15), probably with boiler.
	9.2. Possible heating walls in Rooms 6, 13, and 14.
10	10.1. Reservoir (16) supplied by a well (17); basins in Room 12.
	10.2. –
	10.3. In both sections, floors of all rooms inclined to Latrines 3 and 9; subterranean drain from Latrine 9 through Rooms 8 and 1 to Latrine 3 to the west (large drain 18); drain from Room 4 of unknown function to west (large drain 18).
11	11.1. –
	11.2. Excellent example of a hybrid bath with mixed Graeco-Egyptian and Roman features; Rooms 5 and 10 with benches; <i>opus tessellatum</i> mosaic in several rooms, floral panel in <i>Tholos</i> 7.
12	12.1. –
	12.2. ABD EL-MAKSoud 2007. FOURNET, REDON 2007. FOURNET et al. 2013, cat. no. 69. Fournet, Redon in this volume (a); Guimier-Sorbets, Redon in this volume.
13	ABD EL-MAKSoud 2007, p. 105, fig. 71 (plan), figs. 70, 72–77 (photos). FOURNET, REDON 2007, p. 122, fig. 82 (schematic plan). FOURNET et al. 2013, cat. no. 69 (standardised plan). Fournet, Redon in this volume (a), fig. 7a (typological plate), 13 (state plan); Guimier-Sorbets, Redon in this volume, fig. 32 (photo).



Cat. no.	31 (B292, F66)
1	1.1. Theadelphia / Kharabet Ihrit, Greek Baths 1 1.2. –
2	2.1. 29°20'52.32" N, 30°33'50.82" E 2.2. Northern limit of the <i>kom</i> . 2.3. –
3	3.1. Poorly preserved. 3.2. –
4	4.1. Partly excavated/unearthed at an unknown date; currently undergoing reinvestigation by C. Römer with the collaboration of Th. Fournet (joint DAIK-IFAO survey). 4.2. See 4.1.
5	At least 210 m ² .
6	6.1. Hellenistic (T). 6.2. – 6.3. –
7	7.1. Classical <i>tholos</i> model with circular or retrograde circuit (depending on the existence, or not, of a corridor north of <i>Tholos A</i> or S of <i>Tholos B</i>). 7.2. Entrance from west in a probable entrance hall. Either a peripheral corridor, not preserved, led to Hall C, or <i>Tholoi A</i> and <i>B</i> had two entrances, one in the entrance hall, one in Hall C (more likely). Probable relaxation room north-east of Corridor C.
8	Two <i>tholoi</i> (A, B; both diam. about 6.55 m) each with at least 22 hip-bathtubs; possibly a square room with immersion bathtubs N of Furnace D.
9	9.1. Probable furnace (D) in front of the two <i>tholoi</i> . 9.2. –
10	10.1. T-shaped reservoir (a) and semi-circular basin (b) in Corridor C. 10.2. – 10.3. –
11	11.1. – 11.2. –
12	12.1. – 12.2. RÖMER 2013, p. 235. FOURNET et al. 2013, cat. no. 66. Fournet, Redon in this volume (a); Guimier-Sorbets, Redon in this volume.
13	RÖMER 2013, fig. 11 (photo), fig. 12 (plan). FOURNET et al. 2013, cat. no. 66 (standardised plan). Fournet, Redon in this volume (a), fig. 7a (typological plate); Guimier-Sorbets, Redon in this volume, figs. 19, 21, 25 (photos).

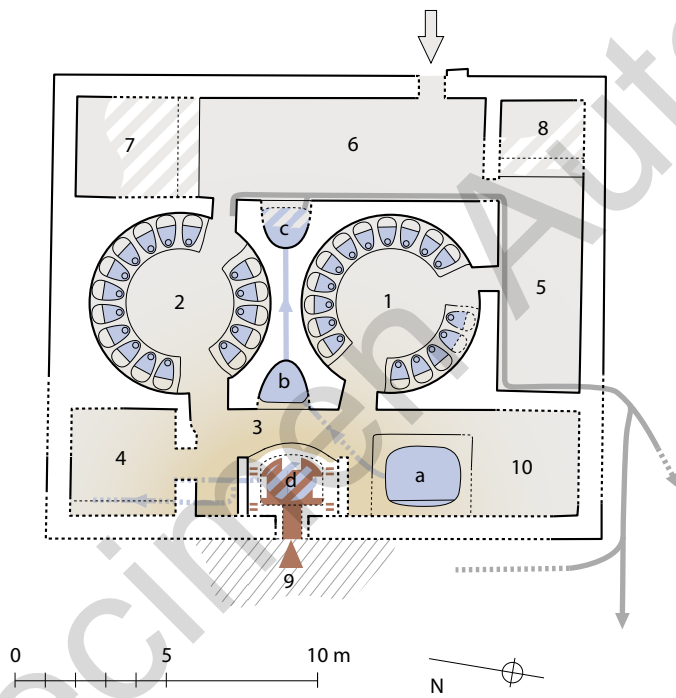


Cat. no.	32 (B293, F67)
1	1.1. Theadelphia / Kharabet Ihrith, Greek Baths 2 1.2. –
2	2.1. 29°20'46.71" N, 30°33'53.36" E 2.2. Eastern limit of the <i>kom</i> . 2.3. –
3	3.1. Poorly to relatively well preserved. 3.2. –
4	4.1. Never excavated before 2014, currently undergoing reinvestigation, partially cleaned and surveyed in September 2014 by C. Römer and Th. Fournet (joint DAIK-IFAO survey). 4.2. See 4.1.
5	At least 320 m ² .
6	6.1. Hellenistic (T). 6.2. II: large remodelling at an unknown date, several refurbishments (floors). 6.3. –
7	7.1. I: classical <i>tholos</i> model with retrograde circuit. II: hybrid baths with retrograde circuit? 7.2. I: probable entrance from west into two successive halls (1 and 2). Hall 2 gives direct access to <i>Tholoi</i> 3 and 4, opened E into Corridor 5/7. A relaxation room is accessed in the south-east corner of the building (Room 9). II: direct entrance into Hall 2 (?), leading to <i>Tholos</i> 3, Corridor 5 and the relaxation room 6. Room 9 (another relaxation room) maybe still in use during that phase, but its access is not preserved.
8	I: Two <i>tholoi</i> with 20 hip-bathtubs and two double hip-bathtubs or small immersion bathtubs (3, 4; both diam. about 6.40 m) and one rectangular room with two or three immersion bathtubs (9). II: <i>idem</i> but <i>Tholos</i> 4 abandoned and new room (6) with at least one immersion bathtub.
9	9.1. I: possible furnace south of Tank 11, in front of the two <i>tholoi</i> . II: small furnace (8) between Rooms 7 and 9, probably topped by a boiler. 9.2. –
10	10.1. I: double reservoir (11) in the north-east corner of the building. II: two basins in Hall 2, a water-tower with six reservoirs, arranged on two stories (10), built on Tank 11 (abandoned), and a basin in Room 7. 10.2. – 10.3. –
11	11.1. – 11.2. –
12	12.1. – 12.2. RÖMER 2013, pp. 235–238. FOURNET et al. 2013, cat. no. 67. Fournet, Redon in this volume (a); Guimier-Sorbets, Redon in this volume. Unpublished documentation after September 2014 mission.
13	RÖMER 2013, figs. 13–16 (photos). Standardised plan in FOURNET et al. 2013, cat. no. 67. Fournet, Redon in this volume (a), fig. 7a (typological plate with Phase I and II plans), 9 (state plan and photo); Guimier-Sorbets, Redon in this volume, fig. 11 (photo); here plan after cleaning in September 2014.

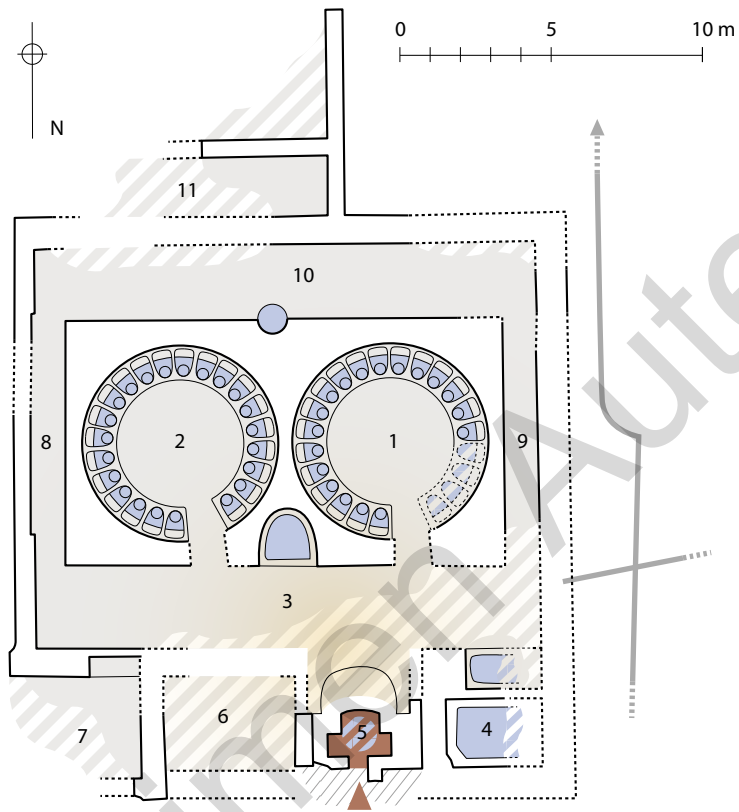


State plan

Cat. no.	33 (B07, F50)
1	1.1. Thebes / Karnak, Greek Baths north of the first pylon 1.2. –
2	2.1. 25°43'12.64" N, 32°39'23.24" E 2.2. In residential quarter developed during the Ptolemaic period, outside the temple enclosure, 50 m north of the first pylon, built on the Late Period embankment protecting the temple from floods and enabling boats to moor and pilgrims to disembark. 2.3. –
3	3.1. Well preserved. 3.2. –
4	4.1. Fully excavated in 2006–2011 by S. El-Masekh, under the supervision of M. Boraik (SCA), with the punctual collaboration of Th. Fournet and B. Redon for excavations and architectural survey. 4.2. See 4.1.
5	280 m ² .
6	6.1. Before the mid-2nd century BC, probably end of third/beginning of 2nd century BC. 6.2. Some traces of renovations (furnace, south drain) but no important remodelling. 6.3. Before the last quarter of the 2nd century (dated by coin hoard found in structures that were built above the bath building).
7	7.1. Classical <i>tholos</i> model with retrograde circuit. 7.2. Entrance from east in Hall 6, probably from a north-south street leading to the dromos of the first pylon. Hall 6 gives access to the north to <i>Tholos</i> 2, and to the south to Hall 5, opening onto <i>Tholos</i> 1. The <i>tholoi</i> open onto a distribution corridor (3), that leads, to the north, to a relaxation room (4).
8	Two <i>tholoi</i> (1, 2; both diam. about 6 m) each with 16 hip-bathtubs; one room (4) with at least one immersion bathtub (found in the backfill but not in situ, therefore not shown on the plan), and most likely two more bathtubs.
9	9.1. Furnace (d) probably topped by a boiler, supplied fuel from west. 9.2. –
10	10.1. Reservoir (a), two semi-circular basins (b, c), supplied by Reservoir a; two subterranean channels from Furnace a to Room 4 (hot water supply?). 10.2. – 10.3. Drain from <i>Tholos</i> 2 through Halls 6 and 5 to the south.
11	11.1. All rooms decorated with high-quality mosaic floors (pebbled mortar and chipped stone mosaic; in Room 2 figural mosaic with marine animals, dolphins and tilapia) and polychrome stucco in masonry style. 11.2. –
12	12.1. – 12.2. BORAİK 2009. BORAİK, FAUCHER 2010. BORAİK et al. 2013. BORAİK, NAGUIB 2013. FOURNET et al. 2013, cat. no. 50. Bouchaud, Redon in this volume; Fournet, Redon in this volume (a); Guimier-Sorbets, Redon in this volume.
13	BORAİK 2009, figs. 1, 4–8, 10–11 (photos), fig. 2 (partial plan). BORAİK et al. 2013, fig. 1 (plan), figs. 2–8 (photos), fig. 9 (sections on the heating system), fig. 10 (schematic plan), fig. 11 (plan with the location of the mosaics), figs. 12–24 (photos). FOURNET et al. 2013, cat. no. 50 (standardised plan). Fournet, Redon in this volume (a), fig. 7a (typological plate); Guimier-Sorbets, Redon in this volume, figs. 4, 8, 9, 14, 15, 39 (photos).



Cat. no.	34 (B274, F70)
1	1.1. Xoïs / Sakha, Greek Baths 1.2. –
2	2.1. 31°05'21" N, 30°57'02" E (coordinates of the site) 2.2. Near a workshop (pottery) and a so-called "nymphaion". 2.3. –
3	3.1. Probably destroyed. 3.2. –
4	4.1. Found by chance and excavated by el-Khachab at an unknown date between 1959 and 1963. 4.2. Visited in May 2009 by B. Redon but not found.
5	390 m ² .
6	6.1. Hellenistic (E, T). 6.2. – 6.3. –
7	7.1. Classical <i>tholos</i> model with circular circuit (but could also be two retrograde circuits). 7.2. Entrance from south in Corridor 11 and entrance Hall 10, opened onto two corridors (8–9) leading to the distribution Hall 3. It gives access, to the south, to two <i>tholoi</i> (1, 2) and to the north-east, to one or two possible square rooms (6 and 7), but heavily destroyed. The circuit could be circular (bathers entering Hall 3 from Corridor 8 or 9 and going back to Hall 10 through the other corridor), but a double retrograde circuit is also likely: entrance in Hall 11/10, and then separation of the bathers in two groups: the bathers of <i>Tholos</i> 1 passing by Corridor 9, while bathers of <i>Tholos</i> 2 taking Corridor 8 (see Buto North Phase I, cat. no. 6).
8	Two <i>tholoi</i> (1, 2; both diam. about 6.45 m) each with 22 hip-bathtubs; probably one or two rectangular room with immersion bathtubs (6, 7).
9	9.1. Furnace (5) probably topped by a boiler. 9.2. Heating wall in Room 6?
10	10.1. Reservoir and adjacent basin (4); semi-circular basin in Corridor 3; small circular basin in Corridor 10. 10.2. East-west conduit supplying Reservoir 4 to the west of the baths. 10.3. North-south conduit possibly used as drain (but has no clear connection to the baths) to the west of the baths.
11	11.1. – 11.2. –
12	12.1. – 12.2. EL-KHACHAB 1978, pp. 59–60, 64. FOURNET et al. 2013, cat. no. 70. Fournet, Redon in this volume (a).
13	EL-KHACHAB 1978, pls. 40–54 (photos), plan 2 (plan). FOURNET et al. 2013, cat. no. 70 (standardised plan). Fournet, Redon in this volume (a), fig. 7a (typological plate).



Specimen Auteur

Bibliography

ABD EL-FATTAH, SEIF EL-DIN et al. 2009

Abd el-Fattah, A., Seif el-Din M. (avec la collaboration de M. El-Amouri, Th. Fournet, B. Redon), “Les bains de ‘Ezbet Fath Allah (Maréotide). Rapport préliminaire – Novembre 2007”, in M.-Fr. Boussac, Th. Fournet, B. Redon, (eds.), *Le bain collectif en Égypte, origine évolution et actualités des pratiques. Actes du colloque Balnéorient, Alexandrie, 1-4 déc. 2006*, EtudUrb 7, Cairo, 2009, pp. 263–274.

‘ABD AL-ḤAFĪZ 2007

‘Abd al-Ḥafiz, M., *Ḥammāmāt al-Iskandariyya fi-l-qarnayn al-tāsī’ ‘ashar wa-l-‘isbrīn*, Alexandrie, 2007.

‘ABD AL-ḤAFĪZ 2009

‘Abd al-Hafiz, M., “Les hammams d’Alexandrie à l’époque de Muḥammad ‘Alī”, in M.-Fr. Boussac, Th. Fournet, B. Redon (eds.), *Le bain collectif en Égypte, origine évolution et actualités des pratiques. Actes du colloque Balnéorient, Alexandrie, 1-4 déc. 2006*, EtudUrb 7, Cairo, 2009, pp. 353–359.

ABD EL-MAKSOUĐ 1984–1985

Abd el-Maksoud, M., “Preliminary Report on the Excavations at Tell el-Farama (Pelusium)”, *ASAE* 70, 1984–1985, pp. 3–8.

ABD EL-MAKSOUĐ 2007

Abd el-Maksoud, M., “Les bains d’époque ptolémaïque”, in D. Valbelle (ed.), *Tell el-Herr. Les niveaux hellénistiques et du Haut Empire*, Paris, 2007, pp. 104–115.

ABD EL-MAKSOUĐ, WAGNER 1989

Abd el-Maksoud, M., Wagner, G., “L’inscription grecque du grand bain romain de Péluse”, *CRIPEL* 11, 1989, pp. 135–138.

‘ABD EL-MALIK 2009

‘Abd el-Malik, S.S., “Deux hammams ayyoubides dans le Sinaï. Étude archéologique et architecturale”, in M.-Fr. Boussac, Th. Fournet, B. Redon (eds.), *Le bain collectif en Égypte, origine évolution et actualités des pratiques. Actes du colloque Balnéorient, Alexandrie, 1-4 déc. 2006*, EtudUrb 7, Cairo, 2009, pp. 305–311.

ABD EL-RAFA FADL, LECUYOT, REDON 2012

Abd el-Rafa Fadl, M., Lecuyot, G., Redon, B., “Les bains égyptiens de Bouto”, *Archéologia* 503, oct. 2012, pp. 22–27.

‘ABD AL-RA’ŪF ‘ABD AL-‘AZĪZ 2007

‘Abd al-Ra’ūf ‘Abd al-‘Azīz, Ğ., *Namāziġ min awqāf al-ġāmi’ al-ġadīd bi-Qinā* [Examples of waqf-s concerning the New Mosque of Qina], *Mağallat al-tārikh wa-l-mustaqbal*, July 2007, pp. 348–387.

‘ABD AL-SATTĀR ‘UTHMĀN 2001

‘Abd al-Sattār ‘Uthmān, M., “Fiqh ‘imārat al-ḥammāmāt fi-l-‘aṣr al-‘uthmānī. Dirāsa taṭbiqiyya ‘alā thalātha min ḥammāmāt Ṣa‘īd Miṣr” [Islamic Jurisprudence regarding the Construction of Hammams during the Ottoman Era. Study applied to Three Hammams of Upper Egypt], in *al-Tāthirāt al-urūbiyya ‘alā al-‘imāra al-‘uthmāniyya wa āliyat al-ḥifz ‘alayha, al-Athār al-‘uthmāniyya*, Tunis, 2001, pp. 313–317.

ABDEL FATTAH, ABDEL RAZEQ 2008

Abdel Fattah, A., Abdel Razeq, M.A., “Rapport préliminaire sur le site de Karm Kandara”, in J.-Y. Empeur, Chr. Décobert (eds), *Alexandrie médiévale* 3, EtudAlex 16, Cairo, 2008, pp. 207–228.

ABDEL WARETH, ZIGNANI 1992

Abdel Wareth, U., Zignani, P., "Nag al-Hagar. A Fortress with a Palace of the Late Roman Empire", *BIFAO* 92, 1992, pp. 185–210.

ABŪ AL-FUTŪḤ 1999

Abū al-Futūḥ, M.S., "al-Ḥammāmāt bi-mintīqat Bayn al-Qaşrayn wa Khān al-Khalilī min al-‘aṣr al-fāṭimī ḥattā nihāyat al-‘aṣr al-mamlūkī" [The Hammams in the Area of Bayn al-Qasrayn and Khan al-Khalili from the Fatimids until the End of the Mamluks], in S. Denoix, J.-Ch. Depaule, M. Tuchscherer (eds.), *Le Khan al-Khalili. Un centre commercial et artisanal au Caire du XIII^e au XX^e siècle*, EtudUrb. 4, Cairo, 1999, pp. 75–98.

ADAMS 1995

Adams, C.E.P., "Supplying the Roman Army: O.Petr. 245", *ZPE* 109, 1995, pp. 119–124.

ADRIANI 1940

Adriani, A., *AMGRA II 1935-1939*, 1940.

ALI CHOUKRI 2009

Ali Choukri, S., "Rapport préliminaire de fouilles sur le site dit « El-Nahda » au sud-est d'Alexandrie", *Alexandrina* 3, EtudAlex 18, Cairo, 2009, pp. 447–464.

ALI MUSTAFA 1988

Ali Mustafa, A., "A Preliminary Report on the Excavation of the E.A.O. at Tell Fara'on – 'Imet,' Season 1985–1986", in E.C.M. Van den Brink (ed.), *The Archaeology of the Nile Delta, Egypt: Problems and Priorities. Proceedings of the Seminar held in Cairo, 19–22 October 1986*, Amsterdam, 1988, pp. 141–149.

ALIQOT 2016

ALIQOT, J., "82. Tarif fiscal", in J.-B. Yon, J. Aliquot, *Inscriptions grecques et latines du Musée national de Beyrouth*, BAAL Hors Série XII, Beirut, 2016, pp. 66–70.

ALSTON 2002

Alston, R., *The City in Roman and Byzantine Egypt*, London, New York, 2002.

AMĪN 1982

Amīn, M., *Tadhkirat al-nabih fi ayyām al-Manṣūr wa banī-hi*, Cairo, 1982.

AMIN 2008

Amin, N. (ed.), *The Historical Monuments of Egypt I, Rosetta*, Cairo, 2008.

ANNALORO, LANGE 2009

Annaloro, M., Lange, G., "État des lieux et potentiels des hammams d'Alexandrie", in M.-Fr. Boussac, Th. Fournet, B. Redon (eds.), *Le bain collectif en Égypte, origine évolution et actualités des pratiques. Actes du colloque Balnéorient, Alexandrie, 1-4 déc. 2006*, EtudUrb 7, Cairo, 2009, pp. 387–397.

AQADA 2008

Aqada, R., "The Umayyad Bath in Andarin" (in arabic), *Adiyat Halab* 11–12, 2008, pp. 223–234.

ARCE 2015

Arce, I., "The Umayyad baths at Amman citadel and Hammam al-Sarah analysis and interpretation: the social and political value of the Umayyad baths", in M.-Fr. Boussac, Th. Fournet, (eds.), *Bains de Jordanie, Syria* 92, 2015, pp. 133–168.

ARNAUDIES, LAROZE 2007

Arnaudies, A., Laroze, E., "Localisation des interventions archéologiques dans le temple de Karnak, 1967–2004", *CahKarn* 12, 2007, pp. 91–103.

ASHMAWY ALI 2006

Ashmawy Ali, A., "Tell Gemaiyemi 'Gomaimah'. More than 100 Years after Griffith's Excavation", in E. Czerny, I. Hein, H. Hunger et al. (eds.), *Timelines. Studies in honour of Manfred Bietak*, OLA 149,1, Leuven, Paris, Dudley, 2006, pp. 55–64.

ASHMAWY ALI 2009

Ashmawy Ali, A., "The Public Bath of Tell Gomaimah and other Graeco-Roman Baths from the Eastern Delta", in M.-Fr. Boussac, Th. Fournet, B. Redon, (eds.), *Le bain collectif en Égypte, origine évolution et actualités des pratiques. Actes du colloque Balnéorient, Alexandrie, 1-4 déc. 2006*, EtudUrb 7, Cairo, 2009, pp. 203–208.

ASHMAWY ALI forthcoming

Ashmawy Ali, A., "Tell Basta: Ancient Topography and Architecture", *BMSAES*, forthcoming.

AST, DAVOLI 2016

Ast, R., Davoli, P., "Ostraca and Stratigraphy at Amheida (Dakhla Oasis, Egypt): a Methodological Issue", *Proceedings of the 27th International Congress of Papyrology, Warsaw, 29 July–3 August 2013*, Warsaw, 2016, pp. 1447–1471.

AUFRÈRE, GOLVIN, GOYON 1991

Aufrère, S., Golvin, J.-Cl., Goyon, J.-Cl., *L'Égypte restituée, sites et temples de Haute Égypte (1650 av. J.-C. - 300 ap. J.-C.)*, Paris, 1991.

AURENCHE 2004

Aurenche, O. (ed.), *Dictionnaire illustré multilingue de l'architecture du Proche-Orient ancien*, 1977, 2nd ed., Collection de la Maison de l'Orient méditerranéen ancien 3, Lyon, 2004.

BAGNALL 1997

Bagnall, R.S., *The Kellis Agricultural Account Book (P. Kell. IV Gr. 96)*, Oxford, 1997.

BAGNALL et al. 2006

Bagnall, R.S., Davoli, P., Kaper, O.E., Whitehouse, H., "Roman Amheida: Excavating a Town in Egypt's Dakhleh Oasis", *Minerva* 17,6, 2006, pp. 26–29.

BAINES, MALEK 1980

Baines, A., Malek, J., *Atlas of Ancient Egypt*, Oxford, 1980.

BAKOWSKA 2011

Bąkowska, G., “Portico in the Southwestern Part of the Southern Baths and Unit 4”, in St. Medeksza, R. Czerner, G. Bąkowska, W. Grzegorek, R. Kucharczyk, J. Lis, P. Zambrzycki, “Marina el-Alamein. Polish-Egyptian Restoration Mission: Conservation Work in 2008”, *PAM* 20, 2011, pp. 122–125.

BAKOWSKA-CZERNER 2011

Bąkowska-Czerner, G., “Divinità egizie nella città greco-romana. Scavi di Marina El-Alamein in Egitto”, *Aegyptus* 89, 2011, pp. 125–140.

BAKR 1992

Bakr, I., *Tell Basta I. Tombs and Burial Customs at Bubastis. The Area of the so-Called Western Cemetery*, Cairo, 1992.

BALL 1912

Ball, J., *The Geography and Geology of South-Eastern Egypt*, Cairo, 1912.

BALL 1942

Ball, J., *Egypt in the Classical Geographers*, Cairo, 1942.

BALLET 2011

Ballet, P., “De Per Ouadjyt à Bouto. Un grand centre urbain du Delta égyptien de la fin de la Basse Époque à l’Antiquité tardive”, *CRAIBL*, 2011, pp. 1567–1589.

BALLET et al. 2011

Ballet, P., Lecuyot, G., Marouard, Gr., Pithon, M., Redon, B., “Et la Bouto tardive?”, *BIFAO* III, 2011, pp. 75–100.

BANGERT 2010

Bangert, S., “The archaeology of pilgrimage: Abu Mina and beyond”, in D. Morton Gwynn, S. Bangert (eds.), *Religious diversity in Late Antiquity*, Leiden, 2010, pp. 283–327.

BARGUET 1962

Barguet, P., *Le temple d’Amon-Rê à Karnak. Essai d’exégèse*, RAPH 21, Cairo, 1962.

BASARAN, ILKEN 1998

Basaran, T., Ilken, Z., “Thermal Analysis of the Heating System of the Small Bath in Ancient Phaselis”, *Energy and Buildings* 27, 1998, pp. 1–11.

BERGER 1982

Berger, A., *Das Bad in der byzantinischen Zeit*, Munich, 1982.

BERGMANN, HEINZELMANN 2007

Bergmann, M., Heinzelmann, M., “Schedia, Alexandrias Hafen am Kanopischen Nil Zwischenbericht zu den Arbeiten 2003-2007”, *HASB* 20, 2007, pp. 65–77.

BERGMANN, HEINZELMANN 2009

Bergmann, M., Heinzelmann, M., “The Bath at Schedia”, in M.-Fr. Boussac, Th. Fournet, B. Redon (eds.), *Le bain collectif en Égypte, origine évolution et actualités des pratiques. Actes du colloque Balnéorient, Alexandrie, 1-4 déc. 2006*, EtudUrb 7, Cairo, 2009, pp. 87–100.

BERNARD 1970

Bernard, A., *Le Delta égyptien d’après les textes grecs I. Les confins libyques*, MIFAO 91, Cairo, 1970.

BESSAC, RABOTEAU 2002

Bessac, J.-Cl., Raboteau, A., “Archéologie expérimentale à propos des chapiteaux “nabatéens” du temple d’Aphrodite à Amathonte (Chypre)”, *BCH* 126, 2002, pp. 415–430.

BITTEL 1959

Bittel, K., “Acht Badehäuser”, in G. Roeder (ed.), *Hermopolis 1929-1939 Ausgrabungen der Deutschen Hermopolis-Expedition in Hermopolis, Ober-Ägypten*, WVPM 4, Hildesheim, 1959.

BLOCH 2014

Bloch, F., “The Bath at Gabal Says”, in M.-Fr. Boussac, S. Denoix, Th. Fournet, B. Redon (eds.), *25 siècles de bain collectif en Orient. Proche-Orient, Égypte et péninsule Arabique*, EtudUrb 9, Cairo, 2014, pp. 585–594.

BLOUIN 2014

Blouin, K., “L’État aux bains: terminologie fiscale et gestion étatique des bains collectifs dans l’Égypte hellénistique et romaine d’après la documentation papyrologique grecque”, in M.-Fr. Boussac, S. Denoix, Th. Fournet, B. Redon (eds.), *25 siècles de bain collectif en Orient. Proche-Orient, Égypte et péninsule Arabique*, EtudUrb 9, Cairo, 2014, pp. 821–833.

BLYTH 1995

Blyth, P.H., “Economics of Public Baths”, *Balnearia* 3,2, 1995, pp. 2–4.

BLYTH 1999

Blyth, P.H., “The Consumption and Cost of Fuel in Hypocaust Baths”, in J. DeLaine, D.E. Johnston (eds.), *Roman Baths and Bathing. Proceedings of the First International Conference on Roman Baths, held at Bath, England, 30 March–4 April 1992*, Suppl. to *JRA* 37, Portsmouth, 1999, pp. 87–98.

BLYTH 2006

Blyth, P.H., *Karnak. Evolution of a Temple*, New York, 2006.

BOATWRIGHT 2002

Boatwright, M.T., *Hadrian and the Cities of the Roman Empire*, Princeton, Oxford, 2002.

BONNET et al. 2006

Bonnet, Ch., Carrez-Maratray, J.-Y., Abd el-Samie, M., el-Tabaie A., Delahaye, F., Dixneuf, D., “L’église tétraconque et les faubourgs romains de Farama à Péluse (Égypte-Nord-Sinaï)”, *Genava* 54, 2006, pp. 371–384.

BONNET et al. 2007

Bonnet, Ch., Carrez-Maratray, J.-Y., Abd el-Samie, M., el-Tabaie A., Delahaye, F., Dixneuf, D., “L’église tétraconque, l’oratoire et les faubourgs romains de Farama à Péluse (Égypte-Nord-Sinaï)”, *Genava* 55, 2007, pp. 247–260.

BONNET et al. 2008

Bonnet, Ch., Carrez-Maratray, J.-Y., Abd el-Samie, M., el-Tabaie A., Delahaye, F., Dixneuf, D., “L’église tétraconque et la villa suburbaine des faubourgs de Farama à Péluse (Égypte-Nord-Sinaï)”, *Genava* 56, 2008, pp. 121–143.

BONNET et al. 2009

Bonnet, Ch., Carrez-Maratray, J.-Y., Abd el-Samie, M., el-Tabaie A., Delahaye, F., Dixneuf, D., “Le temple des faubourgs de l’antique Péluse et l’église tétraconque de Tell el-Farama (Égypte-Nord-Sinaï)”, *Genava* 57, 2009, pp. 127–150.

BONNET et al. 2010

Bonnet, Ch., Carrez-Maratray, J.-Y., Abd el-Samie, M., el-Tabaie A., Delahaye, F., Dixneuf, D., “Le temple romain, les bains et l’église tétraconque des faubourgs de Farama à Péluse (Égypte-Nord-Sinaï)”, *Genava* 58, 2010, pp. 142–163.

BONNET, CARREZ-MARATRAY 2014

Bonnet, Ch., Carrez-Maratray, J.-Y., “Découvertes récentes à Péluse (Tell el-Farama et Tell el-Makhzan)”, *BSEAC* 44, 2012–2013, *RA* 57, 2014/1, pp. 101–107.

BORAİK 2009

Boraik, M., “Ptolemaic Baths in front of the Temple of Karnak. A Brief Preliminary Report – November 2007”, in M.-Fr. Boussac, Th. Fournet, B. Redon (eds.), *Le bain collectif en Égypte, origine évolution et actualités des pratiques, Actes du colloque Balnéorient, Alexandrie, 1-4 déc. 2006*, EtudUrb 7, Cairo, 2009, pp. 73–86.

BORAİK 2010

Boraik, M., “Sphinx Avenue Excavations. First Report”, *CahKarn* 13, 2010, pp. 45–64.

BORAİK 2013a

Boraik, M., “A Roman Bath at Karnak Temples. A Preliminary Report”, *CahKarn* 14, 2013, pp. 33–46.

BORAİK 2013b

Boraik, M., “The Sphinx Avenue Excavations. Second Report”, *CahKarn* 14, 2013, pp. 13–32.

BORAİK et al. 2010

Boraik, M., Ghilardi, M., Bakhit Abdel-Hafez, S., Hatem Ali, M., el-Masekh, S., Garib Mahmoud, A., “Geomorphological Investigations in the Western Part of the Karnak Temple (Quay and Ancient Harbour): First Results Derived from Stratigraphical Profiles and Manual Auger Boreholes and Perspectives of Research”, *CahKarn* 13, 2010, pp. 101–109.

BORAİK et al. 2013

Boraik, M., el-Masekh, S., Guimier-Sorbets, A.-M., Redon, B., “Ptolemaic Baths in front of Karnak Temples. Recent Discoveries (Season 2009–2010)”, *CahKarn* 14, 2013, pp. 47–77.

BORAİK, FAUCHER 2010

Boraik, M., Faucher, Th., “Le trésor des bains de Karnak”, *CahKarn* 13, 2010, pp. 79–100.

BORAİK, GUIMIER-SORBETS 2013

Boraik, M., Guimier-Sorbets, A.-M., “The Floor Decoration and Painted Plaster of the Baths”, in M. Boraik, S. el-Masekh, A.-M. Guimier-Sorbets, B. Redon, “Ptolemaic Baths in front of Karnak Temples. Recent Discoveries (Season 2009–2010)”, *CahKarn* 14, 2013, pp. 61–77.

BORAİK, EL-MASEKH 2012

Boraik, M., el-Masekh, S., “A Roman Bath at Karnak. A Preliminary Report”, *Ancient Egypt* 12/6, 2012, p. 34–49.

BORAİK, NAGUIB 2013

Boraik, M., Naguib, M., “Ceramic Material from the Ptolemaic Baths Excavations in front of Karnak Temples”, *CahKarn* 14, 2013, pp. 79–191.

BOTHMER 2003

Bothmer, B.V., *Egypt 1950. My First Visit*, ed. by E. Swann Hall, Oxford, 2003.

BOUCHAUD 2014

Bouchaud, Ch., “Gestion et utilisation des combustibles végétaux dans les structures thermales: Études carpologiques et anthracologiques de cinq thermes des époques byzantines et omeyyades au Proche-orient”, in M.-Fr. Boussac, S. Denoix, Th. Fournet, B. Redon (eds.), *25 siècles de bain collectif en Orient. Proche-Orient, Égypte et péninsule Arabique*, EtudUrb 9, Cairo, 2014, pp. 595–610.

BOULOS 2005

Boulos, L., *Flora of Egypt* 4. *Monocotyledons (Alismataceae-Orchidaceae)*, Cairo, 2005.

BOUSSAC, FOURNET 2015

Boussac, M.-Fr., Fournet, Th. (eds.), *Bains de Jordanie, Syria* 92, 2015, pp. 11–223.

BOUSSAC, FOURNET, REDON 2009

Boussac, M.-Fr., Fournet, Th., Redon, B. (eds.), *Le bain collectif en Égypte, origine évolution et actualités des pratiques. Actes du colloque Balnéorient, Alexandrie, 1-4 déc. 2006*, EtudUrb 7, Cairo, 2009.

BOUSSAC et al. 2014a

Boussac, M.-Fr., Denoix, S., Fournet, Th., Redon, B. (eds.), *25 siècles de bain collectif en Orient. Proche-Orient, Égypte et péninsule Arabique*, EtudUrb 9, Cairo, 2014.

BOUSSAC et al. 2014b

Boussac, M.-Fr., Denoix, S., Fournet, Th., Redon, B., “Introduction”, in M.-Fr. Boussac, S. Denoix, Th. Fournet, B. Redon (eds.), *25 siècles de bain collectif en Orient. Proche-Orient, Égypte et péninsule Arabique*, EtudUrb 9, Cairo, 2014, pp. 1–44.

BOWMAN 1971

Bowman, K., *The Towns Councils of Roman Egypt*, ASP 11, Toronto, 1971.

BOWMAN 2000

Bowman, K., “Urbanization in Roman Egypt”, in E. Fentress (ed.), *Romanization and the City: Creation, Transformations, and Failures*, Suppl. to *JRA* 38, 2000, pp. 173–187.

BOWMAN, RATHBONE 1992

Bowman, K., Rathbone, D.W., “Cities and administration in Roman Egypt”, *JRS* 82, 1992, pp. 107–127.

BRECCIA 1914

Breccia, E., *Alexandria ad Aegyptum : guide de la ville ancienne et moderne et du Musée gréco-romain*, Bergame, 1914.

BRECCIA 1923

Breccia, E., “Di alcuni bagni nei dintorni d’Alessandria”, *BSAA* 19, 1923, pp. 142–151.

BRECCIA 1926

Breccia, E., *Monuments de l’Égypte gréco-romaine* 1. *Le rovine e I monumenti di Canopo*, 2. *Teadelphia e il tempio di Pniferôs*, Bergamo, 1926.

BROISE 1994

Broise, H., “La pratique du bain chaud par immersion en Sicile et dans la péninsule Italique à l’époque hellénistique”, *Xenia Antiqua* 3, 1994, pp. 17–32.

BROISE 2009

Broise, H., “Entre continuité et rupture. L’introduction des pratiques balnéaires grecques et romaines en Égypte”, in M.-Fr. Boussac, Th. Fournet, B. Redon (eds.),

Le bain collectif en Égypte, origine évolution et actualités des pratiques. Actes du colloque Balnéorient, Alexandrie, 1-4 déc. 2006, EtudUrb 7, Cairo, 2009, pp. 11–13.

BROISE 2014

Broise, H., “Compte-rendu de S. Lucore, M. Trümper, (eds.), *Greek Baths and Bathing Culture: New Discoveries and Approaches*, *Babesch* suppl. 23, 2013”, *Topoi* 19, 2014, pp. 679–686.

BRUN et al. 2013

Brun, J.-P., Faucher, Th., Redon, B., Téreygeol, Fl., “Les mines d’or ptolémaïques. Résultats des prospections dans le district minier de Samut (désert Oriental)”, *BIFAO* 113, 2013, pp. 111–142.

BRUNEAU 1972

Bruneau, Ph., *Les Mosaïques*, EAD 29, Athènes, 1972.

BRUNEAU 1978

Bruneau, Ph., “Un devis de pose de mosaïques : le papyrus Cairo Zen. 59665”, in *STELE, Papers in honour of N. Kontoleon*, Athènes, 1978, pp. 134–143.

BRUNEAU 1988

Bruneau, Ph., “Philologie mosaïstique”, *Journal des savants* 1-2, January–June 1988, pp. 3–73.

BRÜNENBERG 2011

Brünenberg, Cl., “The Roman Bath in Baalbek. A preliminary Report on recent research”, *BAAL* 13, 2009 [2011], pp. 191–203.

BRUNTON 1947

Brunton, G., “The Oracle of Kôm el-Wist”, *ASAE* 47, 1947, pp. 293–295.

BRUYÈRE 1966

Bruyère, B., *Fouilles de Clysmâ-Qolzoum (Suez) 1930-1932*, FIFAO 27, Cairo, 1966.

BUNBURY et al. 2008

Bunbury, J.M., Graham, A., Hunter, M.A., “Stratigraphic Landscape Analysis: Charting the Holocene Movements of the Nile at Karnak through Ancient Egyptian Time”, *Geoarchaeology* 23, 2008, pp. 351–373.

BUSSI 2008

Bussi, S., *Le elites locali nella provincia d’Egitto di prima età imperiale*, Acta et Studia 3, Milano, 2008.

BUTLER 1919

Butler, H.C., *Syria. Publication of the Princeton University Archaeological Expeditions to Syria in 1904–1905 and 1909. Division II. Architecture, Section A Southern Syria*, Leyden, 1919.

CALDERINI 1919

Calderini, A., “Bagni pubblici nell’Egitto greco-romano”, *Rendiconti del reale istituto lombardo di scienze e lettere* 52, 1919, pp. 297–331.

CAMERON 1991

Cameron, M., "Structure Abandonment in Villages", in M.B. Schiffer (ed.), *Archaeological Method and Theory* 3, Tucson, 1991.

CAMERON 1993

Cameron, M., "Abandonment and Archaeological Interpretation", in C.M. Cameron, S.A. Tomka (eds.), *The Abandonment of Settlements and Regions: Ethnoarchaeological and Archaeological Approaches*, Cambridge, 1993.

CAPPERS 2006

Cappers, R.T.J., *Roman Foodprints at Berenike: Archaeobotanical Evidence of Subsistence and Trade in the Eastern Desert of Egypt*, Los Angeles, 2006.

CAPPERS, NEEF 2012

Cappers, R.T.J., Neef, R., *Handbook of Plant Palaeoecology*, Groningen Archaeological Studies 19, Groningen, 2012.

CARREZ-MARATRAY 2012

Carrez-Maratray, J.-Y., "Les bains d'Oxyrhynque: un réexamen à la lumière des fouilles de Péluse", in P. Schubert (ed.), *Proceedings of the 26th International Congress of Papyrology (Aug. 16–21 2010, Geneva)*, Recherches et rencontres 30, Genève, 2012, pp. 135–140.

CARREZ-MARATRAY, WAGNER 1993

Carrez-Maratray, J.-Y., Wagner, G., "Tell Kanaïs", *CRIPEL* 15, 1993, pp. 105–110.

CASTEL 2009

Castel, G., "Bain nord de Karanis", in M.-Fr. Boussac, Th. Fournet, B. Redon (eds.), *Le bain collectif en Égypte, origine évolution et actualités des pratiques. Actes du colloque Balnéorient, Alexandrie, 1-4 déc. 2006*, EtudUrb 7, Cairo, 2009, pp. 197–213.

CHAMOIX 1950

Chamoux, Fr., "Le Dionysos de Sakha", *BCH* 74, 1950, pp. 70–81.

CHANTRAINE 1979

Chantraine, P., *La formation des noms en grec ancien*, 1938, 2nd ed., CollLing 38, Paris, 1979.

CHANTRAINE 2009

Chantraine, P., *Dictionnaire étymologique de la langue grecque*, ParD, 2009.

CHARLESWORTH 1969

Charlesworth, D., "Tell El-Farā'in: The Industrial Site, 1968", *JEA* 55, 1969, pp. 23–30.

CHARLESWORTH 1970

Charlesworth, D., "Tell El-Farā'in Excavation, 1969", *JEA* 56, 1970, pp. 19–28.

CHARLOUX, MENSAN 2012

Charloux, G., Mensan, R., *Karnak avant la XVIII^e dynastie. Contribution à l'étude des vestiges en brique crue des premiers temples d'Amon-Rê*, EtudEg II, Paris, 2012.

CHARPENTIER 1994

Charpentier, G., "Les bains de Sergilla", *Syria* 71, 1994, pp. 113–142.

CHARPENTIER 1995

Charpentier, G., "Les petits bains proto-byzantins de la Syrie du Nord", *Topoi* (L) 5.1, 1995, pp. 219–247.

CHARPENTIER 2014

Charpentier, G., "Les bains d'Al-Bara (2008–2010)", in Boussac, M.-Fr., Denoix, S., Fournet, Th., Redon, B. (eds.), *25 siècles de bain collectif en Orient. Proche-Orient, Égypte et péninsule Arabique*, EtudUrb 9, Cairo, 2014, pp. 465–493.

CHEVRIER 1939

Chevrier, H., "Rapport sur les travaux de Karnak (1938–1939)", *ASAE* 39, 1939, pp. 553–570.

CHRISTODOULOU 2014

Christodoulou, Sk., "Ancient Baths in Cyprus", in Boussac, M.-Fr., Denoix, S., Fournet, Th., Redon, B. (eds.), *25 siècles de bain collectif en Orient. Proche-Orient, Égypte et péninsule Arabique*, EtudUrb 9, Cairo, 2014, pp. 83–106.

CLÉDAT 1905

Clédat, J., "Le Casios et le lac Sirbonis", *CRAIBL* 49, 1905, pp. 602–611.

CLÉDAT 1909

Clédat, J., "Recherches et fouilles au Mont Casios et au lac Sirbonis", *CRAIBL* 53, 10, 1909, p. 764–774.

CLÉDAT 1915

Clédat, J., "Fouilles à Cheikh Zouède (Janvier–Février 1913)", *ASAE* 15, 1915, pp. 15–48.

COHEN, ISRAEL 1996

Cohen, R., Israel Y., "En Hazeva 1990–1994", *ESI* 15, 1996, pp. 110–116.

COPELAND, HANDLEY 2001

Copeland, P., Handley, F. "The Bathhouse", in D.P.S. Peacock, V.A. Maxfield (eds.), *The Roman Imperial Quarries. Survey and Excavation at Mons Porphyrites 1994–1998. I. Topography and Quarries*, ExcMem 67, London, 2001, pp. 19–23.

COQUIN 1972

Coquin, R.G., "La christianisation des temples de Karnak", *BIFAO* 72, 1972, pp. 169–178.

CRIBIORE, DAVOLI, RATZAN 2008

Cribiore, R., Davoli, P., Ratzan, D., "A Teacher's Dipinto from Trimithis (Dakhleh Oasis)," *JRA* 21, 2008, pp. 170–191.

CUVIGNY 2006

Cuvigny, H. (ed.), *La route de Myos Hormos. L'armée romaine dans le désert Oriental d'Égypte. Praesidia du désert de Béréenice I*, *FIFAO* 48, Cairo, 2006.

CZERNER 2009

Czerner, R., *The Architectural Decoration of Marina el-Alamein*, BAR-IS 1942, Oxford, 2009.

DĄBROWSKI 1962

Dąbrowski, L., "La topographie d'Athribis à l'époque romaine", *ASAE* 57, 1962, pp. 19–31.

DĄBROWSKI 1966

Dąbrowski, L., "Two Arab Necropoles Discovered at Kom el-Dikka, Alexandria", *EtudTrav* 1, 1966, pp. 171–180.

DARBY 2015

Darby, R., "The late Roman military baths of the Wadi Arabah: a survey of recent archaeological work", in Boussac, M.-Fr., Fournet, Th. (eds.), *Bains de Jordanie, Syria* 92, 2015, pp. 67–84.

DARESSY 1894

Dareddy, G., "Les grandes villes d'Égypte à l'époque copte", *RevArch* 25, 1894, pp. 196–215.

DARESSY 1912

Dareddy, G., "À travers les koms du Delta", *ASAE* 12, 1912, pp. 169–213.

DASZEWSKI 1978

Daszewski, W.A., "Some Problems of Early Mosaics from Egypt", in H. Maehler, V.M. Strocka (eds.), *Das ptolemäische Ägypten, Akten des internationalen Symposions, 27.-29. September 1976 in Berlin*, Mainz, pp. 121–136.

DASZEWSKI 1982

Daszewski, W.A., "Die Fussboden-Dekoration in Hausern und Palasten des griechisch-romischen Aegypten", in H. Pruckner (ed.), *Palast und Huette*, Mainz, 1982, pp. 395–411.

DASZEWSKI 1985

Daszewski, W.A., *Corpus of Mosaics from Egypt I, Hellenistic and Early Roman Period*, AegTrev 3, Mainz, 1985.

DASZEWSKI 1990

Daszewski, W.A., "Nouvelles recherches sur la côte Nord de l'Égypte. Un type méconnu de chapiteaux", *EtudTrav* 15, 1990, pp. 110–124.

DASZEWSKI 1991

Daszewski, W.A., "Marina El Alamein – the Site of an Unknown Graeco-Roman Settlement on the Mediterranean Coast of Egypt", in L. Krzyżanowski (ed.), *Marina El Alamein, Archaeological Background and Conservation Problems I*, Reports of the research and preservation missions of PKZ 18, Warsaw, 1991, pp. 7–18.

DASZEWSKI 1995

Daszewski, W.A., "Témoignage de l'urbanisation de la côte méditerranéenne de l'époque hellénistique et romaine dans la lumière des fouilles de Marina el Alamein", *BSFE* 132, 1995, pp. 11–29.

DASZEWSKI 2002

Daszewski, W.A., "Marina el-Alamein. Season 2001", *PAM* 13, 2002, pp. 73–86.

DASZEWSKI 2011

Daszewski, W.A., "Graeco-Roman Town and Necropolis in Marina el-Alamein", *PAM* 20, 2011, pp. 421–456.

DASZEWSKI et al. 1990

Daszewski, W.A., Majcherek, G., Sztetyłło, Z., Zych, I., "Excavations at Marina el-Alamein 1987–1988", *MDAIK* 46, 1990, pp. 16–51.

DASZEWSKI et al. 2007

Daszewski, W.A., Zych, I., Bąkowska, G., Błaszczuk, A., "Marina El-Alamein Excavation Report, 2005", *PAM* 17, 2007, pp. 75–97.

DAVID 2013

David, R., "La céramique d'un habitat du v^e siècle à Karnak", *CahKarn* 14, 2013, pp. 287–297.

DAVOLI 1998

Davoli, P., *L'archeologia urbana nel Fayyum di età ellenistica e romana*, Naples, 1998.

DAVOLI 2012

Davoli, P., "Amheida 2007–2009. New Results from the Excavations", in R.S. Bagnall, P. Davoli, C.A. Hope (eds.), *The Oasis Papers 6. Proceedings of the Sixth International Conference of the Dakhleh Oasis Project*, Dakhleh Oasis Project Monographs 6, Oxford, 2012, pp. 263–278.

DAVOLI forthcoming

Davoli, P., "A Public Bath in Roman Trimithis (Amheida, Dakhla Oasis): Seasons 2007–2012", in O. Kaper (ed.), *Proceedings of the 7th International Conference of the Dakhleh Oasis Project. New Developments in the Archaeology of the Egyptian Western Desert and its Oases, Leiden 20–24 June, 2012*, forthcoming.

DAVOLI, MOHAMMED AHMED 2006

Davoli, P., Mohammed Ahmed, N., "On Some Monuments from Kiman Fares (Medinet el-Fayyum)", *SEP* 3, 2006, pp. 81–109.

DÉCOBERT 2002

Décobert, Chr., "Maréotide médiévale. Des bédouins et des chrétiens", in Chr. Décobert (ed.), *Alexandrie Médiévale* 2, Cairo, 2002, pp. 127–167.

DENIZEAU 2009

Denizeau, V., "Les hammams du Caire. De l'équipement essentiel de la ville mamelouke à l'édifice patrimonial délaissé", in M.-Fr. Boussac, Th. Fournet, B. Redon (eds.), *Le bain collectif en Égypte, origine évolution et actualités des pratiques. Actes du colloque Balnéorient, Alexandrie, 1-4 déc. 2006*, *EtudUrb* 7, Cairo, 2009, pp. 313–327.

DENOIX 2009

Denoix, S., "Des thermes aux hammams: nouveaux modèles ou recomposition?", in M.-Fr. Boussac, Th. Fournet, B. Redon (eds.), *Le bain collectif en Égypte, origine évolution et actualités des pratiques. Actes du colloque Balnéorient, Alexandrie, 1-4 déc. 2006*, *EtudUrb* 7, Cairo, 2009, pp. 17–31.

Description de l'Égypte 1809

Description de l'Égypte, État moderne. Planches, vol. II, Paris, 1809.

Description de l'Égypte 1817

Description de l'Égypte, Atlas, vol. IV, Paris, 1817.

DUCREY 1993

Ducrey, P., "Les Mosaiques", in P. Ducrey, I.R. Metzger, K. Reber (eds.), *Eretria VIII. Le quartier de la Maison aux mosaïques*, Lausanne, 1993, pp. 85–96.

DUNAND 1986

Dunand, Fr., "Les associations dionysiaques au service du pouvoir lagide (III^e s. av. J.-C.)", in *L'association dionysiaque dans les sociétés anciennes, Actes de la table ronde organisée par l'École française de Rome, Rome 24-25 mai 1984*, *CEFR* 89, Rome, 1986, pp. 85–104.

DUQMĀQ 1994

Duqmāq, A., *Masāğid al-Iskandiriyya al-bāqiya fi-l-qarnayn al-thānī 'ashar wa-l-thālith 'ashar* [The Still Preserved Mosques of the Twelfth and Thirteenth Century AH], Master Thesis, Cairo University, Department of Antiquities, 1994.

Dura VI

Dura 1936, *The Excavations at Dura-Europos*, Yale University, Académie des Inscriptions et Belles Lettres, "Preliminary Report of Sixth Season of Work, October 1932–March 1933", 1936.

DURAND 2015

Durand, C., "Les bains nabatéo-romains de Dharieh (Jordanie)", *Syria* 92, 2015, pp. 13–21.

ÉCOCHARD, LE CŒUR 1942

Écochard, M., Le Cœur, Cl., *Les bains de Damas. Monographies architecturales*, PIFD, Beirut, 1942.

ELTER, HASSOUNE 2008

Elter, R., Hassoune, A., "Le complexe du bain du monastère de saint Hilarion à Umm el'Amr, première synthèse architecturale", *Syria* 85, pp. 129–144.

EMPEREUR 1997

Empereur, J.-Y., "Chroniques des fouilles à Alexandrie", *BCH* 121, 1997, pp. 838–841.

EMPEREUR, PICON 1998

Empereur, J.-Y., Picon, M., "Les ateliers d'amphores du lac Mariout", in J.-Y. Empereur (ed.), *Commerce et Artisanat dans l'Alexandrie hellénistique et romaine*, *BCH Suppl.* 33, 1998, pp. 75–91.

EL-FAKHARANI 1983

el-Fakharani, F., "Recent Excavations at Marea in Egypt", in *Das Römisch-byzantinische Agypten: Akten des internationalen Symposions 26-30 September 1978 in Trier*, *AegTrev* 2, Mainz, 1983, pp. 175–186.

FANTAR 1985

Fantar M., *Kerkouane cite punique du Cap Bon (Tunisie), T2 l'architecture domestique*, Tunis, 1985.

FARAG 1939

Farag, N., "La statue de Sakha", *ASAE* 39, 1939, pp. 321–323.

FARID 1964

Farid, Sh., "Preliminary Report on the Excavations of the Antiquities Department at Tell Basta (Season 1961)", *ASAE* 58, 1964, pp. 85–98.

FAUCHER, REDON 2014

Faucher, Th., Redon, B., "Le prix de l'entrée au bain en Égypte d'après les sources papyrologiques et numismatiques", in M.-Fr. Boussac, S. Denoix, Th. Fournet, B. Redon (eds.), *25 siècles de bain collectif en Orient. Proche-Orient, Égypte et péninsule Arabique*, *EtudUrb* 9, Cairo, 2014, pp. 835–855.

FINSER 2003

Finser, B., "Researches in 'Anjar", *Baal* 7, 2003, pp. 227–229.

FOURNET 2010

Fournet, Th., "Les bains romains de Sleim (Selaema), analyse architecturale et proposition de chronologie", in M. al-Maqdissi, Fr. Braemer, J.-M. Dentzer (eds.), *Hauran V. La Syrie du Sud, du Néolithique à l'Antiquité tardive I*, Beirut, 2010, pp. 315–334.

FOURNET 2011

Fournet, Th., “Trois curiosités architecturales des bains de Taposiris Magna (Égypte) : voûte à crossettes, radiateur et dalle clavée”, *RA* 52, 2011/2012, pp. 323–347.

FOURNET 2012

Fournet, Th., “Thermes impériaux et monumentaux de Syrie du Sud et du Proche-Orient”, *Cahiers de la villa Kérylos* 23, 2012, pp. 185–246.

FOURNET et al. 2013

Fournet, Th., Lucore, S., Redon, B., Trümper, M., “Catalog of Greek Baths”, in S. Lucore, M. Trümper (eds.), *Greek Baths and Bathing Culture: New Discoveries and Approaches*, Suppl. to *Babesch* 23, 2013, pp. 269–334.

FOURNET, LEPETZ 2014

Fournet, Th., Lepetz, S., “Des os pour les eaux : un combustible inédit d’époque byzantine pour les thermes de Bosra (Syrie)”, in M.-Fr. Boussac, S. Denoix, Th. Fournet, B. Redon (eds.), *25 siècles de bain collectif en Orient. Proche-Orient, Égypte et péninsule Arabique*, *EtudUrb* 9, Cairo, 2014, pp. 611–628.

FOURNET, REDON 2009

Fournet, Th., Redon, B., “Les bains souterrains de Taposiris Magna et le bain de tradition hellénique en Égypte”, in M.-Fr. Boussac, Th. Fournet, B. Redon (eds.), *Le bain collectif en Égypte, origine évolution et actualités des pratiques. Actes du colloque Balnéorient, Alexandrie, 1-4 déc. 2006*, *EtudUrb* 7, Cairo, 2009, pp. 113–137.

FOURNET, REDON 2011

Fournet, Th., Redon, B., “Le bain grec, à l’ombre des thermes romains”, *DossArch* 342, 2011, pp. 56–63.

FOURNET, REDON 2013

Fournet, Th., Redon, B., “Heating Systems of Greek Baths: New Evidences from Egypt”, S. Lucore, M. Trümper (eds.), *Greek Baths and Bathing Culture: New Discoveries and Approaches*, Suppl. to *Babesch* 23, 2013, pp. 239–263.

GALLIMORE 2000

Gallimore, S., “Amphora Production in the Roman World. A View from the Papyri”, *BASP* 47, 2000, pp. 155–184.

GALLO 2009

Gallo, P., “Un bain à la grecque dans l’île de Nelson”, in M.-Fr. Boussac, Th. Fournet, B. Redon (eds.), *Le bain collectif en Égypte, origine évolution et actualités des pratiques. Actes du colloque Balnéorient, Alexandrie, 1-4 déc. 2006*, *EtudUrb* 7, Cairo, 2009, pp. 65–72.

GARCIN 1976

Garcin, J.-Cl., *Un centre musulman de la Haute-Égypte médiévale: Qus*, TAEI 6, Cairo, 1976.

GARDINER 1947

Gardiner, A.H., *Ancient Egyptian Onomastica*, Oxford, 1947.

GASCOU 2012

Gascou, J., “La σημασία P.Oxy. XXXIV 2719 et le paysage urbain d’Alexandrie”, *CdE* 87, 2012, pp. 308–318.

GAST 2003

Gast, M., “Traces d’usure, frottis rituels et pseudo-meules au Sahara”, *Les cahiers des amis de l’art rupestre saharien* 8, 2003, pp. 25–31.

GATIER 2009

Gatier, P.-L., “Bains, monastères et pèlerinages au Proche-Orient et en Égypte à l’époque protobyzantine (IV^e-VII^e s. apr. J.-C.)”, in M.-Fr. Boussac, Th. Fournet, B. Redon (eds.), *Le bain collectif en Égypte, origine évolution et actualités des pratiques. Actes du colloque Balnéorient, Alexandrie, 1-4 déc. 2006*, *EtudUrb* 7, Cairo, 2009, pp. 275–286.

GATIER et al. 2010

Gatier, P.-L., Baud, A., Cahu, D., Charpentier, G., Devillechaise, A., Duvette, C., el-Masri Hachem, M., Ferreira, P., Flammin, A., Haidar-Vela, N., Husson, X., Kahwagi-Janho, H., Piaton, Cl., Pieri, D., Schmitt, A., “Mission archéologique de Tyr. Rapport préliminaire 2008-2009”, *BAAL* 14, 2010 [2012], pp. 135–240.

GAUTHIER 1928

Gauthier, H., “Un vice-roi d’Éthiopie enseveli à Bubastis”, *ASAE* 28, 1928, pp. 129–137.

GAYRAUD 1993

Gayraud, R.-P., “Iṣṭabl ‘Antar (Fostat). Rapport de fouilles (1990)”, *AnIsl* 27, 1993, pp. 225–232.

GINOUVÈS 1955

Ginouvès, R., “Sur un aspect de l’évolution des bains en Grèce vers le IV^e siècle de notre ère”, *BCH* 79, 1955, pp. 135–152.

GINOUVÈS 1962

Ginouvès, R., *Balaneutikè, Recherches sur le bain dans l’Antiquité grecque*, BEFAR 200, Paris, 1962.

GIORGI 2012

Giorgi, E., *I bagni romani di Bakchias. La storia dell’edificio e l’evoluzione dell’impianto urbano*, *Archeologia e storia della civiltà egiziana e del vicino oriente antico*, *Materiali e studi* 23, Imoal, 2012.

AL-ĞIRĠĀWĪ 2002

al-Ğirġawī, M., *Ta' ġir al-nawāhī wa-l-arġā' bi-zikr man ishtahara min 'ulamā' wa a'yān madīnat Ġirġā* [Evocation of the Famous Notables and Ulemas of the City of Girga whose Fragrance spread over Regions and Countries] 2003, Girga, 2003.

GRAHAM 2010

Graham, A., "Islands in the Nile. A Geoarchaeological Approach to Settlement Location in the Egyptian Nile Valley and the Case of Karnak", in M. Bietak, E. Czerny, I. Forstner-Muller (eds.), *Cities and Urbanism in Ancient Egypt*, UZK 35, Wien, 2010, pp. 125–143.

GRAHAM, BUNBURY 2005

Graham, A., Bunbury, J., "The Ancient Landscapes and Waterscapes of Karnak", *EA* 27, 2005, pp. 17–19.

GRÄZER 2009

Gräzer, A., "Hygiène et sécurité dans l'habitat égyptien d'époque pharaonique", in M.-Fr. Boussac, Th. Fournet, B. Redon (eds.), *Le bain collectif en Égypte, origine évolution et actualités des pratiques. Actes du colloque Balnéorient, Alexandrie, 1-4 déc. 2006*, EtudUrb 7, Cairo, 2009, pp. 33–63.

GRECO, DI NICUOLO 2013

G. Greco, C. Di Nicuolo, "The Hellenistic Baths at Velia", in S. Lucore, M. Trümper (eds.), *Greek Baths and Bathing Culture: New Discoveries and Approaches*, Suppl. to Babesch 23, 2013, pp. 113–130.

GREISS 1957

GREISS, E.A.M., *Anatomical Identification of some Ancient Egyptian Plant Materials*, MIE 55, Cairo, 1957.

GRIMAL, LARCHÉ 1993

Grimal, N., Larché, Fr., "Karnak, 1989-1992", *Karnak* 9, 1993, pp. v–xx.

GROSSMANN 1973

Grossmann, P., "Abu Mena. Grabungen von 1961 bis 1969", *ASAE* 61, 1973, pp. 37–48.

GROSSMANN 1986

Grossmann, P., *Abu Mina. A Guide to the Ancient Pilgrimage Center*, Cairo, 1986.

GUIMIER-SORBETS 2009

Guimier-Sorbets, A.-M., "Technique et décor des sols dans les bains du monde grec classique et hellénistique", in M.-Fr. Boussac, Th. Fournet, B. Redon (eds.), *Le bain collectif en Égypte, origine évolution et actualités des pratiques. Actes du colloque Balnéorient, Alexandrie, 1-4 déc. 2006*, EtudUrb 7, Cairo, 2009, pp. 101–111.

GUIMIER-SORBETS 2010

Guimier-Sorbets, A.-M., "Peindre les sols : quelques emplois attestés dans le monde grec", in *Atti del X Congresso internazionale AIPMA*, Naples, 2010, pp. 29–40.

GUIMIER-SORBETS 2015a

Guimier-Sorbets, A.-M., "Le décor architectural grec en Thébaïde : pavements et peintures murales dans des bains de l'époque lagide", in A. Marangou, G. Gorre (eds.), *La présence grecque dans la Vallée de Thèbes*, Rennes, 2015, pp. 135–138.

GUIMIER-SORBETS 2015b

Guimier-Sorbets, A.-M., "Mosaïques d'Égypte : le pittoresque et l'exotique, la variété des techniques", in G. Trovabene, A. Bertoni (eds.), *XII° Colloquio AIEMA, Venezia, 11-15 settembre 2012*, Venice, 2015, pp. 217–222.

GUIMIER-SORBETS forthcoming

A Guimier-Sorbets, A.-M., "Couleur, volume, illusion, de la Macédoine à Alexandrie. Structure, éléments constructifs et décor architectural à l'époque hellénistique", *Actes du colloque international Les arts de la couleur en Grèce ancienne... et ailleurs, Athènes, 23-25 avril 2009*, forthcoming.

HABACHI 1947

Habachi, L., "Finds at Kôm el-Wist", *ASAE* 47, 1947, pp. 285–287.

HABACHI 1957

Habachi, L., *Tell Basta*, CASAE 22, Cairo, 1957.

HADJI-MINAGLOU 2009

Hadji-Minaglou, G., "L'établissement thermal de Tebtynis (Fayoum)", in M.-Fr. Boussac, Th. Fournet, B. Redon (eds.), *Le bain collectif en Égypte, origine évolution et actualités des pratiques. Actes du colloque Balnéorient, Alexandrie, 1-4 déc. 2006*, EtudUrb 7, Cairo, 2009, pp. 181–190.

HADJI-MINAGLOU 2012

Hadji-Minaglou, G., "L'apport des Grecs dans l'architecture de la *chôra* égyptienne : l'exemple de Tebtynis", in P. Ballet (ed.), *Grecs et Romains en Égypte. Territoires, espaces de la vie et de la mort, objets de prestige et du quotidien*, BiEtud 157, Cairo, 2012, pp. 107–120.

HAGEDORN 2007

Hagedorn, D., "The Emergence of Municipal Offices in the Nome-Capitals of Egypt", in A.K. Bowman, R. Coles, N. Gonis, D. Obbink, P.J. Parsons (eds.), *Oxyrhynchus: A City and its Texts*, GRM (L) 93, London, 2007, pp. 194–204.

HEILPORN 2009

Heilporn, P., *Thèbes et ses taxes. Recherches sur la fiscalité en Égypte romaine (Ostraca de Strasbourg II)*, Études d'archéologie et d'histoire ancienne, Paris, 2009.

HELAL 2009–2010

Helal, S.M.M., “Notizia degli scavi di Kôm el Khamsin (febbraio-giugno 1999)”, *AnPap* 21–22, 2009–2010, pp. 207–236.

HEPA 2012

Hepa, M., *Ein griechisch-römischer Siedlungsbefund in Assuan/Ägypten. Areal 13c. Stratigraphie und Kleinfunde*, unpublished MA thesis, University of Cologne, 2012.

HEPA 2014

Hepa, M., “Die römischen Kleinfunde aus Assuan”, *EtudTrav* 27, 2014, pp. 152–159.

HILLIER et al. 2007

Hillier C., Bunbury, J.M., Graham, A., “Monuments on Migrating Nile”, *JAS* 34, 2007, pp. 1011–1015.

HILLMAN 1984

Hillman, G., “Interpretation of Archaeological Plant Remains: The Application of Ethnographic Models from Turkey”, in W. Van Zeist, W.A. Casparie (eds.) *Plants and Ancient Man: Studies in Palaethnobotany, Proceedings of the Sixth Symposium of the International Work Group of Palaeoethnobotany, Groningen 30 May–3 June 1983*, Rotterdam, 1984.

HOBBS 1992

Hobbs, J., *Bedouin Life in the Egyptian Wilderness*, Austin, 1992.

HOBSON 2009

Hobson, B., *Latrinae et Foricae. Toilets in the Roman World*, London, 2009.

HOEPFNER, SCHWANDNER 1994

Hoepfner, W., Schwandner, E.L., *Haus und Stadt im Klassischen Griechenland. Wohnen in der Klassischen Polis I*, Munich, 1994.

HOFFMANN 1999

Hoffmann, M., *Griechische Bäder, Quellen und Forschungen zur Antiken Welt*, Munich, 1999.

HOLLADAY 2001

Holladay, J.S., *The Oxford Encyclopedia of Ancient Egypt*, s.v. “Tell el Yahudiyya”, vol. 3, pp. 527–529, Oxford, 2001.

HÖLSCHER 1954

Hölscher, U., *The excavations of Medinet Habu V. The Post-Ramessid Remains*, Chicago, 1954.

HOSS 2005

Hoss, St., *Baths and Bathing. The culture of bathing and the baths and thermae in Palestine from the Hasmoneans to the Moslem conquest*, BAR IS 1346, 2005.

HOSS 2012

Hoss, St., “From rejection to incorporation The Roman culture of bathing in Palestine”, in R. Kreiner, W. Letzner (eds.), *SPA – SANITAS PER AQUAM. Tagungsband des Internationalen Frontinus-Symposiums zur Technik- und Kulturgeschichte der antiken Thermen, Aachen, 18.–22. März 2009*, Suppl. to Babesch 21, Leuven, 2012, pp. 259–264.

HONIGSBERG 1969

Honigsberg, P., “Diospolis Parva”, *CHE* 11, 1969, pp. 19–24.

ḤUSĀM AL-DĪN ISMĀ‘IL, ṬĀHIR AL-ŠĀDIQ 1999

Ḥusām al-Dīn Ismā‘il M., Ṭāhir al-Šādiq, M., *Rashīd al-nash‘at, al-izdihār, al-inḥisār* [Rosetta: Development, Apogee and Decline], Cairo, 1999.

JACQUAT, MARTINOLI 1999

Jacquat, C., Martinoli, D., “*Vitis vinifera* L.: Wild or Cultivated? Study of the Grape Pips Found at Petra, Jordan; 150 BC–AD 40”, *Vegetation History and Archaeobotany* 8 (1), 1999, pp. 25–30.

JAKUBIAK 2012

Jakubiak, K., “Water Distribution in Pelusium – a Short Note on a Larger Problem”, in M. Żuchowska (ed.), *The Archaeology of Water Supply*, BAR-IS 2414, Oxford, 2012, pp. 49–59.

JEFFREYS 1985

Jeffreys, D.G., *The Survey of Memphis I. The Archaeological Report*, EES Occasional Publications 3, London, 1985.

JÉLINKOVA-REYMOND 1956

Jélinkova-Reymond, A., *Les inscriptions de la statue guérisseuse de Djed-Her-le-Sauveur*, BiEtud 26, Cairo, 1956.

JONES 1937

Jones, H.M., *The Cities of the Eastern Roman Provinces*, Oxford, 1937.

JÖRDEN 1999

Jörden, A., “Das Verhältnis der römischen Amtsträger in Ägypten zu den ‘Städten’ in der Provinz”, in W. Eck (ed.), *Lokale Autonomie und römische Ordnungsmacht in den kaiserzeitlichen Provinzen vom 1. bis 3. Jahrhundert*, Schriften des Historischen Kollegs Kolloquien 42, München, 1999, pp. 140–179.

JOUGUET 1911

Jouguet, P., *La vie municipale dans l'Égypte romaine*, BEFAR 104, Paris, 1911.

KAHRAMAN, DAĞLI, DANKOFF 2007

Seyahatnâmesi. 10 Kitap. Evliyâ Çelebi, edited by S.A. Kahraman, Y. Dağlı, R. Dankoff, Istanbul, 2007.

KAMEL 1983

Kamel, M., "Foreign Deities in the Eastern Delta", *ASAE* 65, 1983, pp. 83–89.

KAUFMAN 1910

Kaufman, C.M., *Die Menasstadt und das Nationalheiligtum der altchristlichen Aegypter in der Westalexandrinischen Wüste, Ausgrabungen der Frankfurter Expedition am Karm Abu Mina 1905-1907*, Leipzig, 1910.

KEHOE 1992

Kehoe, D., *Management and Investment on Estates in Roman Egypt during the Early Empire*, Bonn, 1992.

KENAWI 2009

Kenawi, M., "Beheira Survey – I siti Romani nel Delta occidentale del Nilo", *RISE* 3, 2009, pp. 143–155.

KENAWI 2010

Kenawi, M., "Beheira Survey – I centri di produzione vinicola nel Delta Occidentale del Nilo", *RISE* 4, 2010, pp. 177–193.

KENAWI 2011

Kenawi, M., "Beheira Survey – Rapporto preliminare sulle missioni 2008-2010", *RISE* 5, 2011, pp. 187–200.

KENAWI forthcoming

Kenawi, M., "Alexandria's Hinterland: Archaeology of the Western Nile Delta, Egypt", forthcoming.

KENAWI, MACAULAY-LEWIS, MACKENZIE 2012

Kenawi, M., Macaulay-Lewis, E., MacKenzie, J., "A Commercial Nursery near Abu Hummus (Egypt) and Re-Use of Amphoras for the Trade in Plants", *JRA* 25, 2012, pp. 195–225.

EL-KHACHAB 1949

el-Khachab, Abd el-M., *Ptolemaic and Roman Baths of Kom el Ahmar*, CASAE 10, Cairo, 1949.

EL-KHACHAB 1956

el-Khachab, Abd el-M., "Les hammams de Kôm Trougah", *ASAE* 54, 1956, pp. 117–140.

EL-KHACHAB 1978

el-Khachab, Abd el-M., *Tâ Sarapeia à Sakha et au Fayoum ou les bains thérapeutiques*, CASAE 25, Cairo, 1978.

KISS 1994

Kiss, Z., "Un portrait romain d'Athribis", *BIFAO* 94, 1994, pp. 303–309.

KISS 1995

Kiss, Z., "Effigie d'un notable d'Athribis romaine", *EtudTrav* 17, 1995, pp. 43–51.

KLEMM, KLEMM 2013

Klemm, R., Klemm, D., *Gold and Gold Mining in Ancient Egypt and Nubia. Geoarchaeology of the Ancient Gold Mining Sites in the Egyptian and Sudanese Eastern Deserts*, Berlin, Heidelberg, 2013.

KNUDSTAD, FREY 1999

Knudstad, J.E., Frey, R.A., "Kellis: the Architectural Survey of the Romano Byzantine Town at Ismant el-Kharab", in C.S. Churcher, A.J. Mills (eds.), *Reports from the Survey of Dakhleh Oasis, Western Desert of Egypt, 1977–1987*, DakhOP-Monogr. 2, Oxford, 1999, pp. 189–214.

KOŁATAJ 1992

Kołątaj, W., *Imperial Baths at Kom el-Dikka*, Alexandrie 6, Warsaw, 1992.

KOŁODZIEJCZYK 1968

Kołodziejczyk, K., "Private Roman Bath at Kôm el-Dikka in Alexandria", *EtudTrav* 2, 1968, pp. 143–154.

KOŁODZIEJCZYK 1972

Kołodziejczyk, K., "Report of the Polish Archaeological Mission's Excavations at Tell Atrib in 1963", *EtudTrav* 6, 1972, pp. 137–145.

KOŁODZIEJCZYK 1999

Kołodziejczyk, K., "Fragments d'enduits peints de Tell Atrib", *EtudTrav* 18, 1999, pp. 99–160.

KOŁOSKI-OSTROW 2011

Koloski-Ostrow, O., "Location and Context of Public Latrines", in G.C.M. Jansen, O. Koloski-Ostrow, E.M. Moormann (eds.), *Roman Toilets. Their Archaeology and Cultural History*, Leuven, 2011, pp. 113–114.

KOLŠEK 1987

Kolšek, V., "Die Figuralmotive der Wandmalerei aus Celeia, Pictores per provincias", in H. Bögli, M. Fuchs, *Pictores per provincias, Actes du 3^e colloque international sur la peinture murale romaine, Avenches, 28-31 août 1986*, Cahiers d'archéologie romande 43, Avenicum 5, Avenches, 1987, pp. 227–232.

KOŚCIUK 2011

Kościuk, J., "Two Bath Buildings on the Western Side of the Sphinx Avenue in Luxor", *BSAC* 50, 2011, pp. 75–100.

KOŚCIUK, NEGM 1987

Kościuk, J., Negm, M.A. el-A., "The New Private Roman Bath Found in Egypt", *Acta Polytechnicae Wratislaviensis* 23, 1987, pp. 5–8.

KRAUS, RÖDER, MÜLLER-WIENER 1966

Kraus, Th., Röder, J., Müller-Wiener, W., "Mons Claudianus – Mons Porphyrites. Bericht über die zweite Forschungsreise 1964", *MDAIK* 22, 1966, pp. 108–205.

KRENCKER et al. 1929

Krencker, J., Krüger, E., Lehmann, H., Wachtler, H., *Die trierer Kaiserthermen* I, Augsburg 1929.

KRÜGER 1989

Krüger, K., “Die Badeanlagen von Oxyrhynchos – eine historisch-terminologische Untersuchung”, *Tyche* 4, 1989, pp. 109–118.

KRZYŻANOWSKA 2009

Krzyżanowska, A., “Les monnaies”, in K. Myśliwiec, A. Krzyżanowska, *Tell Atrib 1985-1995 II. Les monnaies*, Warsaw, 2009, pp. 75–236.

KUCERA 2012

Kucera, P., “al-Qasr: the Roman Castrum of Dakhla Oasis”, in R.S. Bagnall, P. Davoli, C.A. Hope (eds.), *The Oasis Papers 6. Proceedings of the Sixth International Conference of the Dakhleh Oasis Project*, Dakhlop-Monogr. 6, Oxford, 2012, pp. 305–316.

KUNZE, SCHLEIFF 1944

Kunze, E., Schleiff, E., *Bericht über die Grabungen in Olympia* IV, Berlin, 1944.

LADSTÄTTER 2010

Ladstätter, S., “Keramische Fundkomplexe aus Areal 15 der Stadtgrabung in Syene/Aswan”, in S. Ladstätter, V. Scheibelreiter (eds.), *Städtisches Wohnen im östlichen Mittelmeerraum (4. Jh. v Chr.–1. Jh. n. Chr.)*, *Akten des internationalen Kolloquiums vom 24.–27. Oktober 2007 an der Österreichischen Akademie der Wissenschaften in Wien*, *ArchForsch* 18, Wien, 2010, pp. 449–73.

ŁAJTAR 2005

Łajtar, A., “Four inscriptions from Marina El Alamein”, *JJP* 35, 2005, pp. 99–108.

LANE 1981

Lane, E.W., *An Account of the Manners and Customs of the Modern Egyptians, written in Egypt during the Years 1833–1835*, 1836, The Hague, London, 1981.

LANGER, HILL 1982

Langer, R.H.M., Hill, G.D., *Agricultural Plants*, Cambridge, 1982.

LAROCHE-TRAUNECKER 2000

Laroche-Traunecker, Fr., “Chapiteaux ‘nabatéens’, ‘corinthiens inachevés’ ou ‘simplifiés’? Nouveaux exemples en Égypte”, *Ktèma* 25, 2000, pp. 207–213.

LAROZE, VALBELLE 2010

Laroze, E., Valbelle, D., “Travaux du CFEETK 2005–2007”, 2010 [Available from: CFEETK] <<http://www.cfeetk.cnrs.fr/index.php?page=rapport-2005-2007>>, accessed 10 Aug. 2015.

LASKOWSKA-KUSZTAL 1984

Laskowska-Kusztal, J., *Le sanctuaire ptolémaïque de Deir el-Bahari*, Deir el-Bahari 3, Warsaw, 1984.

LAUFFRAY 1971a

Lauffray, J., “Abords occidentaux du premier pylône de Karnak. Le dromos, la tribune et les aménagements portuaires”, *Kémi* 21, 1971, pp. 77–144.

LAUFFRAY 1971b

Lauffray, J., “Travaux du centre franco-égyptien de Karnak en 1970–1971”, *CRAIBL* 115, 1971, pp. 557–571.

LAUFFRAY 1980

Lauffray, J., “Les travaux du Centre franco-égyptien d’étude des temples de Karnak de 1972 à 1977”, *CahKarn* 6, 1980, pp. 1–65.

LAUFFRAY 1991

Lauffray, J., *Halabiyya-Zenobia*, BAH 138, Paris, 1991.

LAUFFRAY 1995a

Lauffray, J., *La chapelle d’Achôris à Karnak I. Les fouilles, l’architecture, le mobilier et l’anastylose*, Paris, 1995.

LAUFFRAY 1995b

Lauffray, J., “Maisons et ostraca ptolémaïques à l’est du lac sacré”, *CahKarn* 10, 1995, pp. 257–299.

LECLANT 1967

Leclant, J., “Fouilles et travaux en Égypte et au Soudan, 1965–1966”, *Orientalia* 36, 1967, pp. 191–227.

LECLANT, CLERC 1997

Leclant, J., Clerc, G., “Fouilles et travaux en Égypte et au Soudan, 1995–1996”, *Orientalia* 66, 1997, pp. 222–363.

LECLÈRE 2008

Leclère, Fr., *Les villes de Basse Égypte au I^{er} millénaire av. J.-C. Analyse archéologique et historique de la topographie urbaine*, BiEtud 144, Cairo, 2008.

LECUYOT, REDON 2011

Lecuyot, G., Redon, B., “Le secteur Pio: des bains grecs aux thermes romains”, in P. Ballet, G. Lecuyot, Gr. Marouard, M. Pithon, B. Redon, “Et la Bouto tardive?”, *BIFAO* III, 2011, pp. 75–100.

LECUYOT, REDON 2014

Lecuyot, G., Redon, B., “Les bains de Bouto/Tell el-Fara’in”, in M.-Fr. Boussac, S. Denoix, Th. Fournet, B. Redon (eds.), *25 siècles de bain collectif en Orient. Proche-Orient, Égypte et péninsule Arabique*, EtudUrb 9, Cairo, 2014, pp. 281–290.

LECUYOT, REDON forthcoming

Lecuyot, G., Redon, B., “Les complexes balnéaires dans l’Égypte gréco-romaine et leurs mobiliers”, in P. Ballet et al. (eds.), *Les mobiliers archéologiques dans leur contexte, de la Gaule à l’Orient méditerranéen*, forthcoming.

LEHMANN 1953

Lehmann, P.W., *Roman Wall Paintings from Boscoreale in the Metropolitan Museum of Art*, Cambridge, 1953.

LEONE 2011

Leone, R., “Relazione preliminare sui lavori della Missione dell’Università di Torino a Tabiet el Ramlah”, *RISE* 5, 2011, pp. 207–212.

LEPAON 2008

Lepaon, Th., “Les édifices balnéaires de Gerasa de la Décapole: premières observations”, *Syria* 85, pp. 51–70.

LEPAON 2015

Lepaon, Th., “Les bains de Placcus à Gerasa de la Décapole. Synthèse des recherches et premières remarques”, in Boussac, M.-Fr., Fournet, Th. (eds.), *Bains de Jordanie*, *Syria* 92, 2015, pp. 105–122.

LEVI 1947

Levi, D., *Antioch Mosaic Pavement*, I–II, Princeton, 1947.

LEWIS 1983

Lewis, N., *Life in Egypt Under Roman Rule*, *Classics in Papyrology* 1, Oxford, 1983.

LIEUTAGHI 2006

Lieutaghi, P., *Petite ethnobotanique méditerranéenne*, Paris, 2006.

LOCHER 1999

Locher, J., *Topographie und Geschichte der Region am Ersten Nilkatarakt in griechisch-römischer Zeit*, AfP Beiheft 5, Stuttgart, Leipzig, 1999.

LUCORE 2013

Lucore, S., “Bathing in Hieronian Sicily”, in S. Lucore, M. Trümper (eds.), *Greek Baths and Bathing Culture: New Discoveries and Approaches*, Suppl. to *Babesch* 23, 2013, pp. 151–180.

LUCORE, TRÜMPER 2013

Lucore, S., Trümper, M. (eds.), *Greek Baths and Bathing Culture: New Discoveries and Approaches*, Suppl. to *Babesch* 23, 2013.

LUKASZEWICZ 1986

Lukaszewicz, A., *Les édifices publics dans les villes de l’Égypte romaine. Problèmes administratifs et financiers*, *Studia Antiqua*, Warsaw, 1986.

MAHMOUD 2010

Mahmoud, T., *Desert Plants of Egypt’s Wadi El Gemal National Park*, Cairo, New York, 2010.

MAḤMŪD ‘ABD AL-GHANĪ 2013

Maḥmūd ‘Abd al-Ghanī, A., *al-‘Amā’ir al-madaniyya al-bāqiya bi muḥāfazat al-Suways min ‘aṣr al-usra al-‘alawiyya 1805-1952* [Civilian Buildings still existing in the Province of Suez from the Time of

Muhammad ‘Alī and his Descendants (1805-1952)], Master Thesis, University of Sohag, Department of Islamic Antiquities, 2013.

MAJCHEREK 2012

Majcherek, G., “Remarks on the Pottery from Unit 4”, in St. Medeksza, R. Czerner, G. Bąkowska-Czerner, I. Fuks-Rembisz, W. Grzegorek, G. Majcherek, M. Mrozek-Wysocka, P. Zambrzycki, “Marina el-Alamein. Conservation Work in the 2009 Season”, *PAM* 21, 2012, pp. 92–94.

MANDERSCHIED 1988

Manderscheid, H., *Bibliographie zum römischen Badewesen unter besonderer Berücksichtigung der öffentlichen Thermen*, München, 1988.

MARCHIORI 2014

Marchiori, G., “Decline, Migration and Revival: Kom al-Ahmer and Kom Wasit, a History of a Forgotten City”, in *TRAC 2013, Proceedings of the Twenty-Third Annual Theoretical Roman Archaeology Conference*, London, 2014, pp. 70–80.

MARÉCHAL 2013

Maréchal, S., “Roman Public Baths in Modern Libya”, *Babesch* 88, 2013, pp. 205–228.

MARGARITIS, JONES 2006

Margaritis, E., Jones, M., “Beyond Cereals: Crop Processing and *Vitis vinifera* L. Ethnography, Experiment and Charred Grape Remains from Hellenistic Greece”, *JAS* 33 (6), 2006, pp. 784–805.

EL-MASEKH, REDON 2013

el-Masekh, S., Redon, B., “The Heating System”, in M. Boraik, S. el-Masekh, A.-M. Guimier-Sorbets, B. Redon, “Ptolemaic Baths in front of Karnak Temples. Recent Discoveries (Season 2009–2010)”, *CahKarn* 14, 2013, pp. 48–60.

MAURY et al. 1983

Maury, B., Raymond, A., Revault, J., Zakariya, M., *Palais et maisons du Caire II. Époque ottomane (XVI^e-XVIII^e siècle)*, Paris, 1983.

McKENZIE 1990

McKenzie, J., *The Architecture of Petra*, New York, 1990.

McKENZIE 2007

McKenzie, J., *The Architecture of Alexandria and Egypt 300 BC-AD 700*, New Haven, London, 2007.

MCPARLAND et al. 2009

McParland, L., Hazell, Z., Campbell, G., Collinson, M.G., Scott, A., “How the Romans got themselves into Hot Water: Temperatures and Fuel Types used in Firing a Hypocaust”, *Environmental Archaeology* 14.2, 2009, pp. 176–183.

MEDEKSZA, CZERNER et al. 2011

Medeksza, St., Czerner, R., Bąkowska, G., Grzegorek, W., Kucharczyk, R., Lis, J., Zambrzycki, P., “Marina el-Alamein. Polish-Egyptian Restoration Mission: Conservation Work in 2008”, *PAM* 20, 2011, pp. 103–128.

MEDEKSZA, CZERNER, BĄKOWSKA-CZERNER et al. 2012

Medeksza, St., Czerner, R., Bąkowska-Czerner, G., Fuks-Rembisz, I., Grzegorek, W., Majcherek, G., Mrozek-Wysocka, M., Zambrzycki, P., “Marina el-Alamein. Conservation Work in the 2009 Season”, *PAM* 21, 2012, pp. 79–105.

MÉLÈZE-MODRZEJEWSKI 1989

Mélèze-Modrzejewski, J., “Entre la cité et le fisc : le statut grec dans l'Égypte romaine”, *Symposium 1982. Actes du V^e colloque international d'histoire du droit grec et hellénistique (Santander, septembre 1982)*, Cologne, Wien, 1989, pp. 241–280.

MÉNASSA, LAFERRIÈRE 1974

Ménassa, L., Laferrrière, P., *La Sâqia. Technique et vocabulaire de la roue à eau égyptienne*, BiEtud 67, Cairo, 1974.

MEREDITH 1952

Meredith, D., “The Roman Remains in the Eastern Desert of Egypt”, *JEA* 38, 1952, pp. 94–111.

MEURICE 2014

Meurice, C., *Jean Clédat en Égypte et en Nubie (1900-1914)*, BiEtud 158, Cairo, 2014.

MEYER 1989

Meyer, B., “Problèmes du combustible dans les bains publics de l'Égypte grecque et romaine”, in L. Criscuolo, G. Geraci (eds.), *Egitto e storia antica dall'Ellenismo all'Età araba. Bilancio di un confronto. Atti del colloquio internazionale, Bologna, 31 agosto-2 settembre 1987*, Bologna, 1989, pp. 565–571.

MEYER 1997

Meyer, B., “Gymnase” et “Thermes” dans l'Égypte romaine et byzantine”, in B. Kramer, W. Luppe, H. Maelher, G. Poethke (eds.), *Akten des 21. internationalen Papyrologenkongresses, Berlin, 13.-19.8.1995*, Stuttgart, Leipzig, 1997, pp. 691–695.

MICHAŁOWSKI 1937

Michałowski, K., “Le kôm central. B. Époque romaine 1. Les bains”, in B. Bruyère, J. Manteufel, K. Michałowski, J. Sainte Fare Garnot (eds.), *Tell Edfou 1937*, FFP I, Cairo, 1937.

MICHAŁOWSKI 1962a

Michałowski, K., “Fouilles polonaises à Tell Atrib (1957-1959)”, *ASAE* 57, 1962, pp. 49–66.

MICHAŁOWSKI 1962b

Michałowski, K., “Fouilles polonaises à Tell Atrib en 1960”, *ASAE* 57, 1962, pp. 67–77.

MICHAŁOWSKI 1964

Michałowski, K., “Fouilles polonaises à Tell-Atrib (Saison 1961)”, *ASAE* 58, 1964, pp. 235–244.

MITTHOF 2001

Mitthof, Fr., *Annona militaris. Die Heeresversorgung im spatantiken Agypten. Ein Beitrag zur Verwaltungs- und Heeresgeschichte des Römischen Reiches im 3. bis 6. Jh. n. Chr.*, PapFlor 32, Florence, 2001.

MONSON 2012

Monson, A., *From the Ptolemies to the Romans: Political and Economic Change in Egypt*, Cambridge, New York, Melbourne, 2012.

MORRISON 2013

Morrison, C., “Feu et combustible dans l'économie byzantine”, in *Il Fuoco nell'alto medioevo*, Settimane di studio della fondazione centro italiano di studi sull'alto medioevo 9, Spoleto, 2013, pp. 777–804.

MUBĀRAK 1986

Mubārak, A., *al-Khitat al-tawfiqiyya al-ġadida li-Miṣr al-Qāhira wa muduni-ha wa bilādi-ha al-qadīma wa-l-shahīra*, Cairo, 1986.

MÜLLER 2010a

Müller, W., “Domestic Structures in Graeco-Roman Syene”, in V. Scheiblreither, S. Ladstätter (eds.), *Städtisches Wohnen im östlichen Mittelmeerraum (4. Jh. v. Chr.–1. Jh. n. Chr.)*, *Akten des internationalen Kolloquiums vom 24.-27. Oktober 2007 an der Österreichischen Akademie der Wissenschaften in Wien*, ArchForsch 18, Wien, 2010, pp. 429–448.

MÜLLER 2010b

Müller, W., “Urbanism in Graeco-Roman Egypt”, in M. Bietak, E. Czerny, I. Forstner-Müller (eds.), *Cities and Urbanism in Ancient Egypt*, UZK 35, Wien, 2010, pp. 217–256.

MÜLLER 2013

Müller, W., “Hellenistic Aswan”, in D. Raue, S. Seidlmayer, P. Speiser (eds.), *The First Cataract of the Nile*, SDAIK 36, Mainz, pp. 123–133.

MÜLLER 2014

Müller, W., “Syene (Ancient Aswan) in the First Millennium AD”, in E.R. O'Connell (ed.), *Egypt in the First Millennium AD. Perspectives from New Fieldwork*, British Museum Publications on Egypt and Sudan 2, Leuven, 2014, pp. 59–69.

MÜLLER, DE DAPPER forthcoming

Müller, W., De Dapper, M., "The Urban Landscape of Aswan", in Y. Tristant, M. Ghilardi (eds.), *Landscape archaeology: Egypt and the Mediterranean World*, BiEtud, Cairo, forthcoming.

MÜLLER-WIENER, ENGEMANN, TRAUT 1966

Müller-Wiener, W., Engemann, J., Traut, F., "Abu Mena: 4. Vorläufiger Bericht", *MDAIK* 21, 1966, pp. 171–187.

MÜLLER-WIENER, ENGEMANN, TRAUT 1967

Müller-Wiener, W., Engemann, J., Traut, F., "Abu Mena: 5. Vorläufiger Bericht", *MDAIK* 22, 1967, pp. 206–224.

MÜLLER-WIENER, GROSSMANN 1967

Müller-Wiener, W., Grossmann, P., "Abu Mena: 6. Vorläufiger Bericht", *AA* 22, 1967, pp. 457–480.

MUNDELL-MANGO 2002

Mundell-Mango, M., "Excavations and Survey at Androna, Syria: The Oxford team 1999", *Dumbarton Oaks Papers* 56, 2002, pp. 307–315.

MURRAY 1880

Murray, J., *Handbook for Travellers in Lower and Upper Egypt*, London, 1880.

MURRAY 1925

Murray, G.W., "The Roman Roads and Stations in the Eastern Desert of Egypt", *JEA* 11, 1925, pp. 138–150.

MURRAY 2000

Murray, A.-M., "Cereal Production and Processing", in P. Nicholson, I. Shaw (eds.), *Ancient Egyptian Materials and Technology*, Cambridge, 2000, pp. 505–536.

MUSTAFA, JARITZ 1984–1985

Mustafa M. ed-Din, Jaritz, H., "A Roman Fortress at Nag' el-Ḥagar. First Preliminary Report", *ASAE* 70, 1984–1985, pp. 21–31.

MYŚLIWIEC 1980

Myśliwiec, K., "Die Rolle des Atum in der isd-Baum-Szene", *MDAIK* 36, 1980, pp. 349–354.

MYŚLIWIEC 1994a

Myśliwiec, K., "Athribis – eine hellenistische Stadt in Nildelta", *AW* 25/1, 1994, pp. 35–46.

MYŚLIWIEC 1994b

Myśliwiec, K., "Isis-Aphrodite 'anasyrmene' et le culte de la déesse nue à Athribis ptolémaïque", in C. Berger, G. Clerc, N. Grimal (eds.), *Hommages à Jean Leclant* 3. *Études isiaques*, BiEtud 106,3, Cairo, 1994, pp. 385–389.

MYŚLIWIEC 1995a

Myśliwiec, K., "L'habitat d'Athribis ptolémaïque à la lumière des fouilles récentes", *Topoi* 5.1, 1995, pp. 119–131.

MYŚLIWIEC 1995b

Myśliwiec, K., "Tell Atrib 1994", *PAM* 6, 1995, pp. 37–47.

MYŚLIWIEC 1996

Myśliwiec, K., "Athribis entre Memphis et Alexandrie", *DossArch* 213, 1996, pp. 34–43.

MYŚLIWIEC 1997a

Myśliwiec, K., "Les ateliers d'Athribis ptolémaïque", *Archeologia Warsz* 47, 1997, pp. 7–20.

MYŚLIWIEC 1997b

Myśliwiec, K., "Ermouthis à Athribis", in J. van Dijk (ed.), *Essays on Ancient Egypt in Honour of Herman Te Velde*, Egyptological Memoirs I, Groningen, 1997, pp. 259–266.

MYŚLIWIEC 1997c

Myśliwiec, K., "Phallic Figurines from Tell Atrib", in J. Aksamit, M. Dolińska, A. Majewska, A. Niwiński, S. Rzepka, Z. Szafranski (eds.), *Essays in honour of Prof. Dr. Jadwiga Lipińska*, Warsaw Egyptological Studies 1, Warsaw, 1997, pp. 119–138.

MYŚLIWIEC 1998

Myśliwiec, K., "La fonction des bains publics de l'époque ptolémaïque à Athribis", *KHKM* 16, 1-2, 1998, pp. 123–138.

MYŚLIWIEC 1999

Myśliwiec, K., "Fruchtbarkeitskult und erotische Kunst im ptolemäischen Athribis (Unterägypten)", in H. Felber, S. Pfisterer-Haas (eds.), *Ägypten-Griechen-Römer. Begegnung der Kulturen*, Kanobos 1, Leipzig, 1999, pp. 47–81.

MYŚLIWIEC 2000

Myśliwiec, K., "Rescue Excavations", in Z. Sztetyło, K. Myśliwiec, *Tell Atrib 1985–1995 I. Pottery Stamps, Rescue Excavations*, Warsaw, 2000, pp. 9–49.

MYŚLIWIEC 2004

Myśliwiec, K., "Ägyptisches und Griechisches im Werk der Künstler von Athribis", *Städte Jahrbuch*, Neue Folge 19, 2004, pp. 463–486.

MYŚLIWIEC 2009

Myśliwiec, K., "Contexte archéologique", in K. Myśliwiec, A. Krzyzanowska, *Tell Atrib 1985–1995 II. Les monnaies*, Warsaw, 2009, pp. 15–72.

MYŚLIWIEC, ABU SENNA 1995

Myśliwiec, K., Abu Senna, S., "Polish-Egyptian Excavations at Tell Atrib in 1991–1993", *EtudTrav* 17, 1995, pp. 205–240.

MYŚLIWIEC, BAKR SAID 1999

Myśliwiec, K., Bakr Said, M., "Polish-Egyptian Excavations at Tell Atrib in 1994–1995", *EtudTrav* 18, 1999, pp. 179–219.

MYŚLIWIEC, KRZYŻANOWSKA 2009

Myśliwiec, K., Krzyżanowska, A., *Tell Atrib 1985-1995 II. Les monnaies*, Warsaw, 2009.

MYŚLIWIEC, POŁUDNIKIEWICZ 2003

Myśliwiec, K., Południkiewicz, A., "A Center of Ceramic Production In Ptolemaic Athribis", in C.A. Redmount, C.A. Keller (eds.), *Egyptian Pottery. Proceedings of the 1990 Pottery Symposium at the University of California, Berkeley*, UCPEA 8, Berkeley, 2003, pp. 128–152.

NAGATI 2009

Nagati, O., "In the Heat of the Hammam. Revisiting the Public Bath as a Critical Space of Negotiation", in M.-Fr. Boussac, Th. Fournet, B. Redon (eds.), *Le bain collectif en Égypte, origine évolution et actualités des pratiques. Actes du colloque Balnéorient, Alexandrie, 1-4 déc. 2006*, EtudUrb 7, Cairo, 2009, pp. 361–385.

NAVILLE 1890

Naville, E., *The Mound of the Jew and the City of Onias*, ExcMem 7, London, 1890.

NAVILLE 1891

Naville, E., *Bubastis (1887-1889)*, ExcMem 8, London, 1891.

EL-NASSERY, WAGNER, CASTEL 1976

el-Nassery, S.A.A., Wagner, G., Castel, G., "Un bain gréco-romain à Karanis", *BIFAO* 76, 1976, pp. 231–275.

NEGUEV 1988

Negev, A., *The Architecture of Mampsis, Final Report. I: The Middle and Late Nabatean Periods*, Qedem 26, Jerusalem, 1988.

NELSON 1979

Nelson, A., *Status Declarations in Roman Egypt*, ASP 9, Amsterdam, 1979.

NEWTON et al. 2013

Newton, Cl., Whitbread, Th., Agut-Labordère, D., Wuttmann, M., "L'agriculture oasienne à l'époque perse dans le sud de l'oasis de Kharga (Égypte, v^e-iv^e s. AEC)", *RevEthnoec* 4, 2013, [Available from: <<https://ethnoecologie.revues.org/1294>>].

NICOLET 2000

Nicolet, Cl., "Fragments pour une géographie urbaine comparée : à propos d'Alexandrie", in Cl. Nicolet, R. Ilbert, J.-Ch. Depaule (eds.), *Mégapoles méditerranéennes. Géographie urbaine rétrospective*, L'atelier méditerranéen 1, Paris, 2000, pp. 245–252.

NIELSEN 1990

Nielsen, I., *Thermae et Balnea. The Architecture and Cultural History of Roman Public Baths I*, Aarhus, 1990.

OLESON 1984

Oleson, J.P., *Greek and Roman Mechanical Water-Lifting Devices: The History of a Technology*, Dordrecht, 1984.

ORLANDINI 1960

Orlandini, P., "Impianto greco di bagni pubblici presso l'Ospizio", *NSA* 148, 1960, pp. 181–203.

PALME 1989

Palme, B., "Zu den Unterabteilungen des Quartieres 'Ayopai in Theben", *Tyche* 4, 1989, pp. 125–129.

PANZAC 1987

Panzac, D., "Alexandrie : peste et croissance urbaine (xvii^e-xix^e siècle)", *ROMM* 46, 1987, pp. 81–89.

PAPACONSTANTINO 2012

Papaconstantinou, A., "A Fourth-Century Inventory of Columns and the Late Roman Building Industry", in R. Ast, H. Cuvigny, T.M. Hickey, J. Lougovaya (eds.), *Papyrological texts in honor of Roger S. Bagnall*, Durham, 2012, pp. 215–232.

PAUTY 1933

Pauty, E., *Les hammams du Caire*, MIFAO 64, Cairo, 1933.

PEACOCK, MAXFIELD 1997

Peacock, D.P.S., Maxfield, V.A., *Mons Claudianus (1987-1993). Survey and Excavation I. Topography and Quarries*, FIFAO 37, Cairo, 1997.

PENSABENE 1993

Pensabene P., *Repertorio d'arte dell'Egitto greco-romano, Serie C, vol. III, Elementi Architettonici di Alessandria e di altri siti egiziani*, Rome, 1993.

PENSABENE 2010

Pensabene P., "Le abitazioni di Marina: modelli ellenistici in chiave alessandrina", in Fr. Raffaele, M. Nuzzolo, I. Incordino (eds.), *Recent Discoveries and Latest Researches in Egyptology, Proceedings of the First Neapolitan Congress of Egyptology, Naples, June 18th-20th 2008*, Wiesbaden, 2010, pp. 201–220.

PEPONIS, WINEMAN 2002

Peponis, J., Wineman, J., "Spatial Structure of Environment and Behaviour", in R.B. Bechtel, A. Churchman (eds.), *Handbook of Environmental Psychology*, Hoboken, 2002, pp. 271–291.

PERPILLOU 1997

Perpillou, J.-L., *Chronique d'Étymologie grecque [CEG] 2. Revue de Philologie* 71, 1997, s.v. σκούβαλον, pp. 325–339.

PETRIE 1888

Petrie, W.M.Fl., *Nebesbeh (Am) and Defenneh (Tahpanhes)*, ExcMem 4, London, 1888.

PETRIE 1906

Petrie, W.M.Fl., *Hyksos and Israelite Cities*, BSAE 12, London, 1906.

PIATON 2010

Piaton, Cl., "Le hammam de la résidence du gouverneur", in J.-M. Mouton (ed.), *Sadr, une forteresse de Saladin au Sinaï. Histoire et archéologie*, MAIBL 43, Paris, 2010, pp. 79–95.

PICARD, FAUCHER 2012

Picard, O., Faucher, Th., "I. Les monnaies lagides", in O. Picard, C. Bresc, Th. Faucher et al. (eds.), *Les monnaies des fouilles du Centre d'études alexandrines. Les monnayages de bronze à Alexandrie de la conquête d'Alexandre à l'Égypte moderne*, EtudAlex 25, Alexandrie, 2012, pp. 17–124.

PILLET 1923

Pillet, M., "Rapport sur les travaux de Karnak 1922", *ASAE* 23, 1923, pp. 107–109.

PIRAUD-FOURNET 2014

Piraud-Fournet, P., "Les bains d'apparat des riches demeures urbaines du Proche-Orient aux époques byzantine et omeyyade", in M.-Fr. Boussac, S. Denoix, Th. Fournet, B. Redon (eds.), *25 siècles de bain collectif en Orient. Proche-Orient, Égypte et péninsule Arabique*, EtudUrb 9, Cairo, 2014, pp. 687–710.

RASSART-DEBERGH 2007

Rassart-Debergh, M., "L'Akh-menou Status Quaestionis (1998) I – Les peintures chrétiennes", *CahKarn* 12, 2007, pp. 745–795.

RATHBONE 1991

Rathbone, D.W., *Economic Rationalism and Rural Society in Third-Century A.D. Egypt: The Heroninos Archive and the Appianus Estate*, Cambridge, 1991.

RAYMOND 1969

Raymond, A., "Les bains publics au Caire à la fin du XVIII^e siècle", *AnIsl* 8, 1969, pp. 129–150.

RAYMOND 1978

Raymond, A., "La localisation des bains publics au Caire d'après les "Khitat" de Maqrizi", *BEO* 30, 1978, pp. 347–360.

REBER 1998

Reber, K., *Die klassischen und hellenistischen Wohnhäuser im Westquartier*, Eretria 10, Lausanne, 1998.

REBUFFAT 1991

Rebuffat, R., "Vocabulaire thermal. Documents sur le bain romain", in *Les thermes romains. Actes de la table ronde organisée par l'École française de Rome (Rome 11-12 novembre 1988)*, CEFR 142, Rome, 1991, pp. 1–34.

REDDÉ 2009

Reddé, M., "Trois petits balnéaires du désert Oriental d'Égypte", in M.-Fr. Boussac, Th. Fournet, B. Redon (eds.), *Le bain collectif en Égypte, origine*

évolution et actualités des pratiques. Actes du colloque Balnéorient, Alexandrie, 1-4 déc. 2006, EtudUrb 7, Cairo, 2009, pp. 213–220.

REDDÉ 2011

Reddé, M., "Les thermes", in H. Cuvigny (ed.), *Didymoi. Une garnison romaine dans le désert Oriental d'Égypte I. Les fouilles et le matériel*, FIFAO 64, Cairo, 2011, pp. 24–25.

REDDÉ, GOLVIN 1987

Reddé, M., Golvin, J.-Cl., "Du Nil à la mer Rouge : documents anciens et nouveaux sur les routes du désert Oriental d'Égypte", *Karthago* 21, 1987, pp. 5–64.

REDON 2009

Redon, B., "L'armée et les bains en Égypte hellénistique et romaine", *BIFAO* 109, 2009, pp. 407–450.

REDON 2011

Redon, B., "Statut, revenus et fiscalité des édifices de bain en Égypte. I. Époque ptolémaïque", *BIFAO* 111, 2011, pp. 301–322.

REDON 2012a

Redon, B., "L'insertion spatiale et économique des établissements balnéaires en Égypte", in A. Esposito, G.M. Sanidas (eds.), « Quartiers » artisanaux en Grèce ancienne, Lille, 2012, pp. 57–79.

REDON 2012b

Redon, B., "Établissements balnéaires et présences grecque et romaine en Égypte", in P. Ballet (ed.), *Grecs et Romains en Égypte. Territoires, espaces de la vie et de la mort, objets de prestige et du quotidien*, BiEtud 157, Cairo, 2012, pp. 155–169.

REDON 2014

Redon, B., "Le maillage militaire du Delta égyptien sous les Lagides", in A.-E. Veïsse, St. Wackenier (eds.), *L'armée en Égypte aux époques perse, ptolémaïque et romaine*, Cahiers de l'Atelier Aigyptos 2, Genève, 2014, pp. 45–80.

REDON 2016

Redon, B., "Rencontres, violence et sociabilité aux bains. La clientèle des édifices balnéaires ptolémaïques", in B. Redon, G. Tallet (eds.), *Rencontres, convivialité, mixité, confrontations. Les espaces sociaux de l'Égypte tardive*, Topoi 20, 2016, pp. 59–87.

REDON, FAUCHER 2015

Redon, B., Faucher, Th., "Les Grecs aux portes d'Amon. Les bains de Karnak et l'occupation ptolémaïque du parvis ouest du temple de Karnak", in G. Gorre, A. Marangou (eds.), *La présence grecque dans la vallée de Thèbes*, Rennes, 2015, pp. 121–134.

REDON, LECUYOT 2012

Redon, B., Lecuyot, G., "The Baths of Buto", *EgArch* 40, 2012, p. 16.

REMIJSEN 2015

Remijsen, S., *The End of Greek Athletics in Late Antiquity*, Cambridge, 2015.

RHOMIOPOULOU, SCHMIDT-DOUNAS 2010

Rhomiopoulou, K., Schmidt-Dounas, B., *Das Palmettengrab in Lefkadia*, MDAIA 21, Mainz, 2010.

RIAD 1975

Riad, H., "Anciens bains d'Alexandrie", *BSAA* 43, 1975, pp. 113–122.

ROBERT 1948

Robert, L., *Hellenica, Recueil d'épigraphie, de numismatique et d'antiquités grecques IV. Épigrammes du Bas-Empire*, Paris, 1948.

RODZIEWICZ 1991

Rodziewicz, M., "Report on the activities of the Archaeological Mission at Kom el-Dikka, Alexandria, in 1982", *BSAA* 44, 1991, pp. 84–102.

RODZIEWICZ 1998

Rodziewicz, M., "Classifications of wineries from Mareotis", in J.-Y. Empereur (ed.), *Commerce et Artisanat dans l'Alexandrie hellénistique et romaine*, *BCH Suppl.* 33, 1998, pp. 27–36.

RODZIEWICZ 2009

Rodziewicz, M., "Ancient Baths in Alexandria", in M.-Fr. Boussac, Th. Fournet, B. Redon (eds.), *Le bain collectif en Égypte, origine évolution et actualités des pratiques. Actes du colloque Balnéorient, Alexandrie, 1-4 déc. 2006*, *EtudUrb* 7, Cairo, 2009, pp. 191–201.

ROEDER 1933

Roeder, G., *Vorläufiger Bericht über die Deutsche Hermopolis-Expedition 1931 und 1932*, Hildesheim, 1933.

RÖMER 2004

Römer, C., "Philoteris in the Themistou Meris. Report on the Archaeological Survey carried out as Part of the Fayum Survey Project", *ZPE* 147, 2004, pp. 281–305.

RÖMER 2013

Römer, C., "The Greek Baths in the Fayum at Euhèmeria and Theadelphia: A Preliminary Report", in S. Lucore, M. Trümper (eds.), *Greek Baths and Bathing Culture: New Discoveries and Approaches*, *Suppl. to Babesch* 23, 2013, pp. 229–238.

ROOK 1978

Rook, T., "The Development and Operation of Roman Hypocausted Baths", *Journal of Archaeological Science* 5, 1978, pp. 269–282.

ROOK 1993a

Rook, T., "How to Fire a Roman Bath; or, the Confessions of a Fornicator", *Current Archaeology* 135, 1993, pp. 114–147.

ROOK 1993b

Rook, T., "'X' Marks the Spot: Fuel Trials at Xanten", *Balnearia* 1.2, 1993, pp. 3–6.

ROOK 1994

Rook, T., "Fuel Corrections", *Current Archaeology* 2, 1994, p. 7.

ROWLANDSON 1996

Rowlandson, J., *Landowners and Tenants in Roman Egypt: The Social Relations of Agriculture in the Oxyrhynchite*, Oxford, 1996.

ROWLANDSON 2007

Rowlandson, J., "Oxyrhynchus and its Hinterland", in A.K. Bowman, R. Coles, N. Gonis, D. Obbink, P.J. Parsons (eds.), *Oxyrhynchus: A City and its Texts*, *GRM (L)* 93, London, 2007, pp. 205–217.

RUSZCZYC 1986

Ruszczyc, B., "Wykopaliska polsko-koptyjskie na Komie Sidi Yousef w Tell Atrib (avec résumé en français: Travaux archéologiques polono-coptes sur le site du Kôm Sidi Youssef à Tell Atrib)", *RMNW* 30, 1986, pp. 331–354.

SADEK 1992

Sadek, M., "The Baths at the Ancient Harbour of Marea", in *Atti di sesto congresso internazionale di Egittologia*, Turin, 1992, pp. 549–554.

EL-SAWI 1979

el-Sawi, A., *Excavations at Tell Basta. Report of Seasons 1967–1971 and Catalogue of Finds*, Prague, 1979.

SCAIFE 1935

Scaife, C.H.O., "Two Inscriptions at Mons Porphyrites (Gebel Dokhan). Also a Description, with Plans, of the Stations between Kainopolis and Myos Hormos...", *BFA* 3, 1935, pp. 58–104.

SCHEUBLE-REITER 2012

Scheuble-Reiter, S., *Die Katökenreiter im ptolemäischen Ägypten*, *Vestigia* 64, München, 2012.

SCHIOLER 1973

Schioler, T., *Roman and Islamic Water-Lifting Wheels*, Odense, 1973.

SCHLEIF 1943

Schleif, H., *Die neuen Ausgrabungen in Olympia und ihre Ergebnisse für die antike Bauforschung*, Berlin, 1943.

SCHWARTZ, WILD 1950

Schwartz, J., Wild, H., *Qasr-Qarun/Dionysias 1948*, *FFS* 1, Cairo, 1950.

SCHWARTZ, WILD 1969

Schwartz, J., Wild, H., *Qasr-Qarun/Dionysias 1950*, FFS 2, Cairo, 1969.

SEDKY 1968

Sedky, K., “Ptolemaic Baths of Kom Ganady”, *ASAE* 60, 1968, pp. 221–225.

SETON-WILLIAMS 1966

Seton-Williams, M.V., “The Tell El-Farâ’in Expedition 1966”, *JEA* 52, 1966, pp. 163–171.

SHAW, NICHOLSON 2002

Shaw, I., Nicholson, P., *The British Museum Dictionary of Ancient Egypt*, BiOr 67,5–6, London, 2002.

SIDEBOTHAM 1994a

Sidebotham, S.E., “Preliminary Report on the 1990–1991 Seasons of Fieldwork at ‘Abu Sha‘ar (Red Sea Coast)”, *JARCE* 31, 1994, pp. 133–158.

SIDEBOTHAM 1994b

Sidebotham, S.E., “University of Delaware Fieldwork in the Eastern Desert of Egypt, 1993”, *Dumbarton Oaks Papers* 48, 1994, pp. 263–275.

SIDEBOTHAM, HENSE, NOUWENS 2007

Sidebotham, S.E., Hense, M., Nouwens, H.M., *The Red Land. The Illustrated Archaeology of Egypt’s Eastern Desert*, Cairo, New York, 2007.

SIJPESTEIJN 1991

Sijpesteijn, P.J., “Another Document Concerning Hadrian’s Visit to Egypt”, *ZPE* 89, 1991, pp. 89–90.

SIST 2013

Sist, L., “Archaeological Mission in Lower Egypt: Excavations at Kom el-Ghoraf, the Ancient Metelis”, in *Sapienza in the Mediterranean Region Agreements on Cultural and Scientific Cooperation: Programs and Projects*, Rome, 2013, pp. 108–111.

SKODA 1986

Skoda, Fr., “Une métaphore agricole en dermatologie”, *Revue de philologie* 602, 1986, pp. 215–222.

SKODA 1997

Skoda, Fr., *Chronique d’étymologie grecque [CEG] 2. Revue de philologie* 71, 1997, s.v. ἄχωρ, pp. 301–302.

SMITH 1998

Smith, W., “Fuel for Thought: Archaeobotanical Evidence for the Use of Alternatives to Wood Fuel in Late Antique North Africa”, *Journal of Mediterranean Archaeology* 11 (2), 1998, pp. 191–205.

SPENCER 2006

Spencer, N., *A Naos of Nekhthorheb from Bubastis*, BMRP 156, London, 2006.

STÄHLI 2013

Stähli, A., “Women Bathing Displaying Female Attractiveness on Greek Vases”, in S. Lucore, M. Trümper (eds.), *Greek Baths and Bathing Culture: New Discoveries and Approaches*, Suppl. to Babesch 23, 2013, p. 11–22.

STROBEL 2014

Strobel, K., “Baths in Roman and Byzantine Egypt. Evidence from the Papyri”, in M.-Fr. Boussac, S. Denoix, Th. Fournet, B. Redon (eds.), *25 siècles de bain collectif en Orient. Proche-Orient, Égypte et péninsule Arabique*, EtudUrb 9, Cairo, 2014, pp. 857–866.

STROCKA 1987

Strocka, V.M., “Die römische Wandmalerei von Tiberius bis Nero”, in H. Bögli, M. Fuchs, *Pictores per provincias, Actes du 3^e colloque international sur la peinture murale romaine, Avenches, 28-31 août 1986*, Cahiers d’archéologie romande 43, Avenicum 5, Avenches, 1987, pp. 29–44.

SZTETYŁO 2000

Sztetyło, Z., “Pottery Stamps”, in Z. Sztetyło, K. Myśliwiec, *Tell Atrib 1985–1995 I. Pottery Stamps, Rescue Excavations*, Warsaw, 2000, pp. 51–164.

SZTETYŁO, MYŚLIWIEC 2000

Sztetyło, Z., Myśliwiec, K., *Tell Atrib 1985–1995 I. Pottery Stamps, Rescue Excavations*, Warsaw, 2000.

SZYMAŃSKA 1994

Szymańska, H., “Terres cuites d’Athribis représentant des vieilles femmes”, *Materiały Archeologiczne* 27, 1994, pp. 29–37.

SZYMAŃSKA 1998

Szymańska, H., “The Dionysian Thiasos at Athribis in the Early 3rd cent. B.C.”, in N. Bonacasa, M.C. Naro, E.C. Portale, A. Tullio (eds.), *L’Egitto in Italia dall’antichità al Medioevo. Atti del III Congresso Internazionale Italo-Egiziano, Rome CNR-Pompei, 13-19 nov. 1995*, Rome, 1998, pp. 673–678.

SZYMAŃSKA 1999a

Szymańska, H., “Die Ausgrabungen in Tell Atrib von 1998”, *Kemet* 8/4, 1999, pp. 51–54.

SZYMAŃSKA 1999b

Szymańska, H., “Report on the Activities of the Polish-Egyptian Archaeological Mission at Tell Atrib, 1998”, *ASAE* 75, 1999, pp. 75–81.

SZYMAŃSKA 1999c

Szymańska, H., “Tell Atrib, Excavations 1998”, *PAM* 10, 1999, pp. 71–76.

SZYMAŃSKA 2000

Szymańska, H., “Tell Atrib Excavations 1999”, *PAM* 11, 2000, pp. 77–82.

SZYMAŃSKA 2005

Szymańska, H., *Terres cuites d'Athribis*, MRE 12, Turnhout, 2005.

SZYMAŃSKA, BABRAJ 2008

Szymańska, H., Babraj, K., *Marea I. Byzantine Marea Excavations in 2000–2003 and 2006*, Poznań, 2008.

SZYMAŃSKA, BABRAJ 2009

Szymańska, H., Babraj, K., “Les bains de Marea”, in M.-Fr. Boussac, Th. Fournet, B. Redon (eds.), *Le bain collectif en Égypte, origine évolution et actualités des pratiques. Actes du colloque Balnéorient, Alexandrie, 1-4 déc. 2006*, EtudUrb 7, Cairo, 2009, pp. 247–254.

EL-TABAIE, CARREZ-MARATRAY 2009

el-Tabaie, A., Carrez-Maratray, J.-Y., “Les bains romains de Farama. État des lieux et projets”, in M.-Fr. Boussac, Th. Fournet, B. Redon (eds.), *Le bain collectif en Égypte, origine évolution et actualités des pratiques. Actes du colloque Balnéorient, Alexandrie, 1-4 déc. 2006*, EtudUrb 7, Cairo, 2009, pp. 221–228.

TACOMA 2006

Tacoma, L.E., *Fragile Hierarchies: The Urban Elites of Third-Century Roman Egypt*, Mnemosyne 271, Leiden, Boston, 2006.

TANZÎM 1889

General Direction of the Tanzîm, “Map of the Town of Mahalla”, Cairo, 1889, scale: 1/2000.

TANZÎM 1891

General Direction of the Tanzîm, “Map of the Town of Assiut”, Cairo, 1891, scale: 1/2000.

THANHEISER 1999

Thanheiser, U., “Plant Remains from Kellis: First Results”, in C. Hope, A. Mills (eds.), *Dakhleh Oasis Project: Preliminary Reports on the 1992–1993 and 1993–1994 Field Seasons*, DakhOP-Monogr. 8, Oxford, 1999, pp. 89–93.

THANHEISER 2002

Thanheiser, U., “Roman Agriculture and Gardening in Egypt as seen from Kellis”, in C.A. Hope, G.E. Bowen (eds.), *Dakhleh Oasis Project: Preliminary Reports on the 1994–1995 to 1998–1999 Field Seasons*, DakhOP-Monogr. 11, Oxford, 2002, pp. 299–310.

THÉBERT 2003

Thébert, Y., *Thermes romains d'Afrique du Nord et leur contexte méditerranéen. Études d'histoire et d'archéologie*, BEFAR 315, Rome, 2003.

THIERS 2010

Thiers, Chr., “Membra disiecta ptolemaica (I)”, *CahKarn* 13, 2010, pp. 373–399.

TIETZE, ABD EL-MAKSOU D 2004

Tietze, Ch., Abd el-Maksoud, M., *Tell Basta, A Guide to the Site*, Potsdam, 2004.

TRACZOW 1993

Traczow, B., *Topography of Ancient Alexandria (An Archaeological Map)*, TCAM 32, Warsaw, 1993.

TRAUNECKER, GOLVIN 1984

Traunecker, Cl., Golvin, J.-Cl., *Karnak. Résurrection d'un site*, Paris, 1984.

TRÜMPER 1998

Trümper, M., *Wohnen in Delos*, InternArch 46, Rahden, 1998.

TRÜMPER 2009

Trümper, M., “Complex Public Bath Buildings of the Hellenistic Period. A Case Study in Regional Differences”, in M.-Fr. Boussac, Th. Fournet, B. Redon, (eds.), *Le bain collectif en Égypte, origine évolution et actualités des pratiques. Actes du colloque Balnéorient, Alexandrie, 1-4 déc. 2006*, EtudUrb 7, Cairo, 2009, pp. 139–179.

TRÜMPER 2010

Trümper, M., “Bathing Culture in Hellenistic Domestic Architecture”, in S. Ladstätter, V. Scheibelreiter (eds.), *Städtisches Wohnen im östlichen Mittelmeerraum (4. Jh. v. Chr.–1. Jh. n. Chr.)*, Akten des internationalen Kolloquiums vom 24.–27. Oktober 2007 an der Österreichischen Akademie der Wissenschaften in Wien, ArchForsch 18, Wien, 2010, pp. 529–568.

TRÜMPER 2012

Trümper, M., “Gender-Differentiation in Greek Public Baths”, in R. Kreiner, W. Letzner (eds.), *SPA - Sanitas Per Aquam. Tagungsband des Internationalen Frontinus-Symposiums zur Technik- und Kulturgeschichte der antiken Thermen, Aachen, 18.–22. März 2009*, Suppl. to Babesch 21, Leuven, 2012, pp. 37–45.

TSIOLIS 2013

Tsiolis, V., “The Baths at Fregellae and the Transition from *Balaneion* to *Balneum*”, in S. Lucore, M. Trümper (eds.), *Greek Baths and Bathing Culture: New Discoveries and Approaches*, Suppl. to Babesch 23, 2013, pp. 89–111.

TUCHSCHERER 2009

Tuchscherer, M., “Les hammams publics d'Alexandrie à l'époque ottomane”, in M.-Fr. Boussac, Th. Fournet, B. Redon, (eds.), *Le bain collectif en Égypte, origine évolution et actualités des pratiques. Actes du colloque Balnéorient, Alexandrie, 1-4 déc. 2006*, EtudUrb 7, Cairo, 2009, pp. 329–340.

TUCHSCHERER 2014

Tuchscherer, M., “Les hammams dans les villes de province en Égypte du temps d’Evliyâ Çelebi (seconde moitié du XVII^e siècle)”, in M.-Fr. Boussac, S. Denoix, Th. Fournet, B. Redon (eds.), *25 siècles de bain collectif en Orient. Proche-Orient, Égypte et péninsule Arabique*, EtudUrb 9, Cairo, 2014, pp. 147–158.

VAN DER VEEN 1999

Van der Veen, M., “The Economic Value of Chaff and Straw in Arid and Temperate Zones”, *Vegetation History and Archaeobotany* 8 (3), 1999, pp. 211–224.

VAN DER VEEN 2001

Van der Veen, M., “The Botanical Evidence (Chapter 8)”, in V.A. Maxfield, D.P.S. Peacock (eds.), *Mons Claudianus (1987–1993). Survey and Excavation II. Excavations. Part I*, FIFAO 43, Cairo, 2001, pp. 174–247.

VAN DER VEEN 2011

Van der Veen, M., *Consumption, Trade and Innovation: Exploring the Botanical Remains from the Roman and Islamic Ports at Quseir al-Qadim, Egypt*, Journal of African archaeology Monographs Series 6, Frankfurt, 2011.

VAN DER VEEN, TABINOR 2007

Van der Veen, M., Tabinor, H., “Food, Fodder and Fuel at Mons Porphyrites: the Botanical Evidence”, in D.P.S. Peacock, V.A. Maxfield (eds.), *The Roman Imperial Quarries. Survey and Excavation at Mons Porphyrites 1994–1998. II. The Excavations*, ExcMem 82, London, 2007, pp. 83–142.

VAN SICLEN 1984

Van Siclen, Ch.C., “The City of Basta, an Interim Report”, *ARCE Newsletter* 128, 1984, pp. 28–39.

VAN VAERENBERGH 2011

Van Vaerenbergh, J., “Location of the Toilets within Baths”, in G.C.M. Jansen, O. Koloski-Ostrow, E.M. Moormann (eds.), *Roman Toilets. Their Archaeology and Cultural History*, Leuven, 2011, pp. 115–119.

VASSAL 2006

Vassal, V., *Les pavements d’opus signinum, technique, décor, fonction architecturale*, BAR-IS 1472, Oxford, 2006.

VEÏSSE 2001

Veïsse, A.-E., “Grecques et Égyptiennes en Égypte au temps des Ptolémées”, *CLIO. Histoire, femmes et sociétés* 33, 2011, [Available from: Clio Revues], <<http://clio.revues.org/index10046.html>>, accessed 7 Aug. 2015.

VERHOOGT 2005

Verhoogt, A., *Regaling Officials in Ptolemaic Egypt: a Dramatic Reading of Official Accounts from the Menches Papers*, P.L.Bat. 32, Leiden, Boston, 2005.

VERMEEREN 2000

Vermeeren, C., “Wood and Charcoal”, in S. Sidebotham, W.Z. Wendrich (eds.), *Berenike 1998: Report of the 1998 Excavation at Berenike and the Survey of the Egyptian Eastern Desert, Including Excavations in Wadi Kalalat*, Leiden, 2000, pp. 311–342.

VERNUS 1978

Vernus, P., *Athribis. Textes et documents relatifs à la géographie, aux cultes et à l’histoire d’une ville du Delta égyptien à l’époque pharaonique*, BiEtud 74, Cairo, 1978.

VIBERT-GUIGUE, BISHEH 2007

Vibert-Guigue, C., Bisheh, Gh, *Les peintures de Qusayr’Amra. Un bain omeyyade dans la bâdiya jordanienne*, BAH 179, Beirut, 2007.

VON HESBERG 1980

Von Hesberg, H., *Konsolengeisa des Hellenismus und der frühen Kaiserzeit*, MDAIR 24, Mainz, 1980.

VON PILGRIM 2011

Von Pilgrim, C., “Auf Elephantine sollten wir überhaupt einmal graben: Ein Streifzug durch die Forschungsgeschichte der Städte am 1. Nilkatarakt”, in L.D. Morenz, M. Höveler-Müller, A. El-Hawari (eds.), *Zwischen den Welten: Grabfunde von ägyptens Südgrenze*, Rahden, 2011, pp. 63–84.

VON PILGRIM et al. 2004

Von Pilgrim, C., Bruhn, K.C., Kelany, A., el-Asfar, A., Hakim Haddad, A., ed-Din Mustafa, M., “The Town of Syene. Report on the 1st and 2nd Season in Aswan”, *MDAIK* 60, 2004, pp. 119–148.

VON PILGRIM et al. 2006

Von Pilgrim, C., Bruhn, K.C., Dijkstra, J.HF., Wininger, J., el-Afar, A., el-Saedy, I., ed-Din Mustafa, M., Abdel Atif, U., “The Town of Syene. Report on the 3rd and 4th Season in Aswan”, *MDAIK* 62, 2006, pp. 215–277.

VON PILGRIM et al. 2008

Von Pilgrim, C., Keller, D., Martin-Kilcher, S., Mahmoud el-Amin, F., Müller, W., el-Bialy, M., ed-Din Mustafa, M., “The Town of Syene. Report on the 5th and 6th Season in Aswan”, *MDAIK* 64, 2008, pp. 305–356.

VON PILGRIM et al. 2010

Von Pilgrim, C., Colman, R., Müller, W., Novacek, J., de Pontbrian, A., Schultz, M., el-Bialy, M., Mustafa, M., “The Town of Syene. Report on the 7th Season in Aswan”, *MDAIK* 66, 2010, pp. 179–224.

WASIF 1979

Wasif, F.M., “A Graeco-Roman Bath at Tell Sersena”, *ASAE* 63, 1979, pp. 177–182.

WELC 2014

Welc, F., *Tell Atrib 1985-1995 IV. Faience Objects*, Warsaw, 2014.

WILSON 2006

Wilson, P., *The Survey of Saïs (Sa el-Hagar) 1997–2002*, ExcMem 77, London, 2006.

WILSON 2011

Wilson, A., “Toilets”, in G.C.M. Jansen, O. Koloski-Ostrow, E.M. Moormann (eds.), *Roman Toilets. Their Archaeology and Cultural History*, Leuven, 2011, pp. 99–106.

WILSON 2012

Wilson, A., “Raw Material and Energy”, in W. Scheidel (ed.), *The Cambridge Companion to the Roman Economy*, Cambridge, 2012, pp. 133–155.

WILSON, GRIGOROPOULOS 2009

Wilson, P., Grigoropoulos, G., *The West Delta Regional Survey, Beheira and Kafr el-Sheikh Provinces*, ExcMem 86, London, 2009.

YACOUB 1968

Yacoub, F., “A Private Bath discovered at Kîman-Fâris, Fayûm”, *ASAE* 60, 1968, pp. 55–56.

YEGÜL 1992

Yegül, F., *Baths and Bathing in Classical Antiquity*, New York, 1992.

YEGÜL 2010

Yegül, F., *Bathing in the Roman World*, New York, 2010.

ZAHKAN, WILLIS 2009

Zahran, M.A., Willis, A.J., *The Vegetation of Egypt*, Plant and Vegetation 2, Dordrecht, 2009.

Specimen Autech